

CD RECEIVER

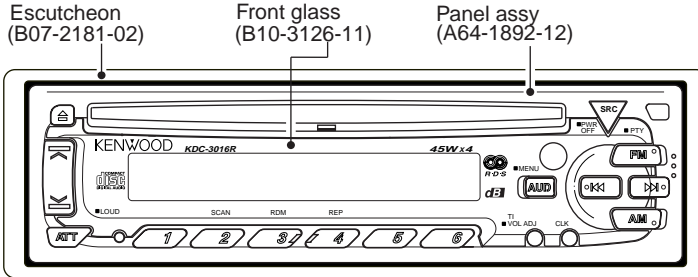
KDC-3016RG/303RG /3080RA/RG/RYA/RYG SERVICE MANUAL

KENWOOD

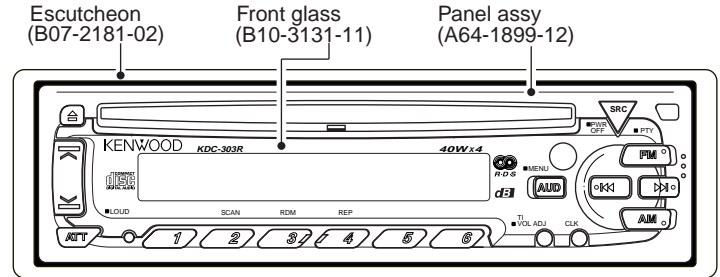
© 1999-12 PRINTED IN JAPAN
B51-7564-00(S) 2219

Extension cord	Parts No.
CD mechanism(22P)	W05-0618-00

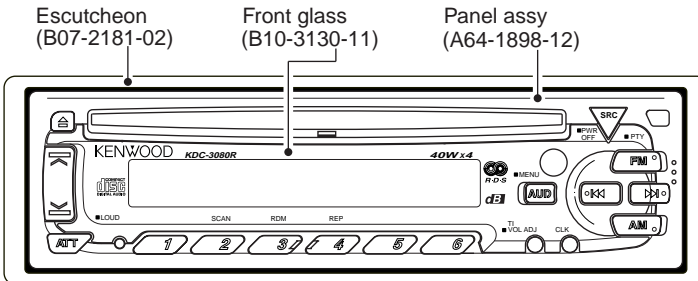
●KDC-3016RG



●KDC-303RG

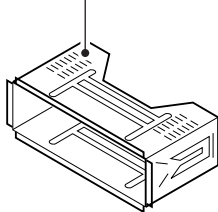


●KDC-3080RA/RG/RYA/RYG

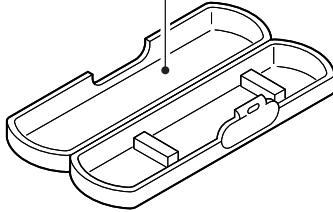


Lever x2
(D10-3031-04)
:KDC-3016RG/3080RYA/RYG
(D10-4197-04)
:KDC-303RG/3080RA/RG

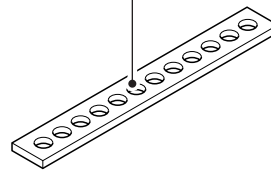
Mounting hardware assy
(J21-9491-03)



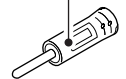
Plastic cabinet assy
(A02-1486-13)



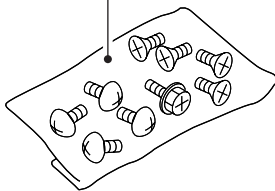
Stay
(J54-0606-04)
:KDC-3016RG



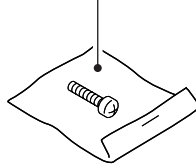
Antenna adaptor
(T90-0523-05)
:KDC-303RG/3080RA
/RG/RYA/RYG



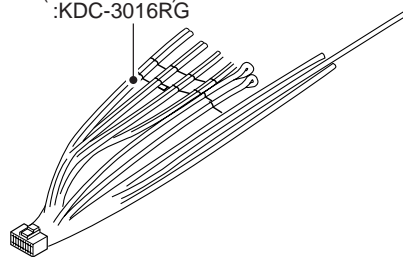
Screw set
(N99-1632-05)
:KDC-3016RG



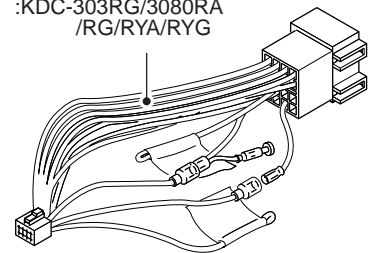
Screw set
(N99-1610-15)
:KDC-3016RG



DC cord
(E30-4785-05)
:KDC-3016RG



DC cord
(E30-4790-05)
:KDC-303RG/3080RA
/RG/RYA/RYG



The MECHANISM OPERATION DESCRIPTION is the same as model KDC-S3007 and KDC-5050RG.
Please refer to the service manual for model KDC-S3007(B51-7029-00) or KDC-5050RG(B51-7099-00).

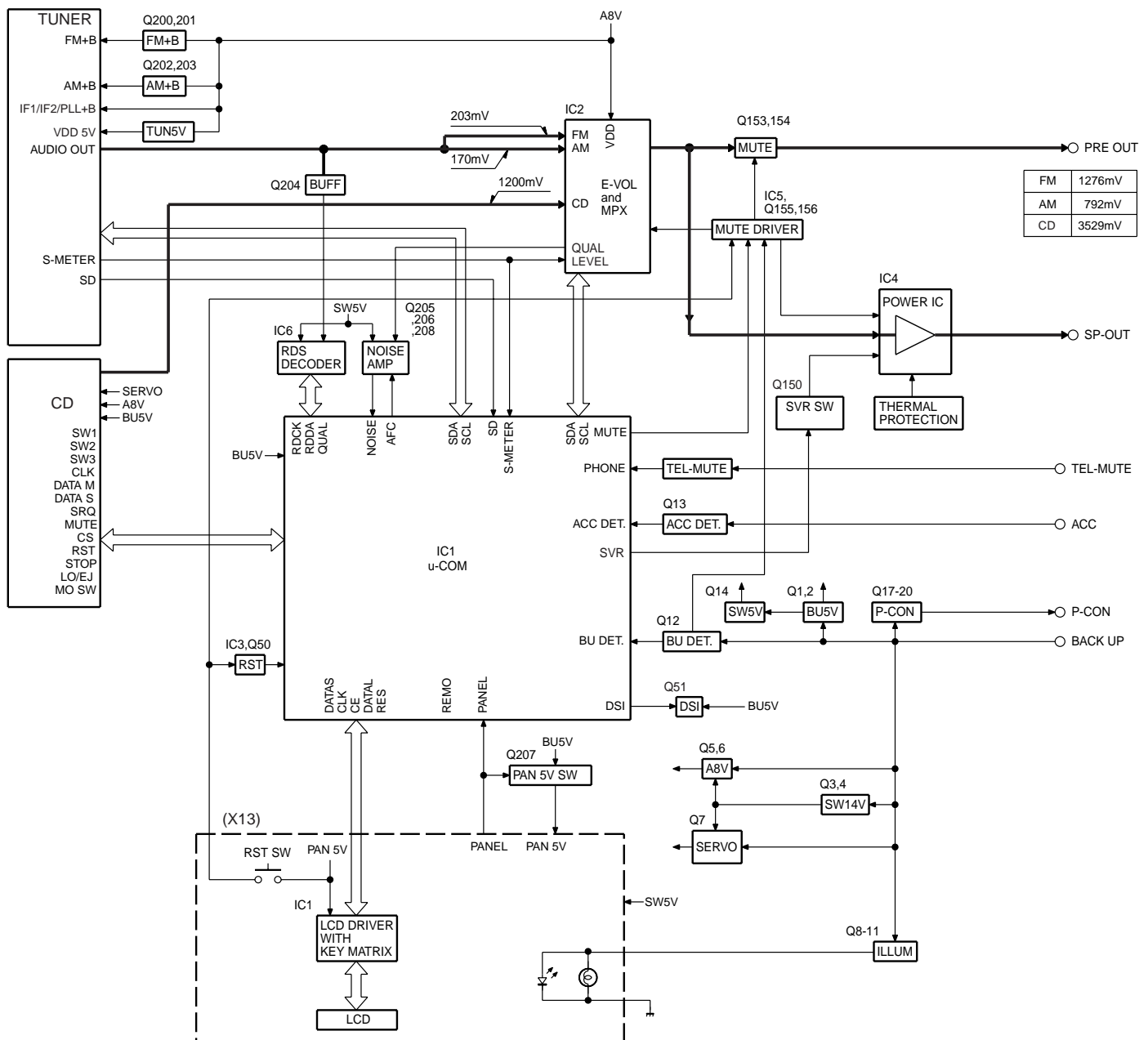


KDC-3016RG/303RG/3080RA/RG/R YA/RYG

CONTENTS

BLOCK DIAGRAM	2	SCHEMATIC DIAGRAM	11
COMPONENT DESCRIPTION	3	EXPLODED VIEW	19
MICROCOMPUTER'S TERMINAL DESCRIPTION	4	PARTS LIST	22
ADJUSTMENT	6	SPECIFICATIONS	28
PC BOARD	7		

BLOCK DIAGRAM



COMPONENT DESCRIPTION

●SWITCH UNIT(X13-96X2-7X)

Ref.No.	Component Name	Application/Function	Operation/Condition/Compatibility
IC1	LC75883E	LCD driver with key-matrix	
Q1	DTA114EKorUN2111	key-matrix permission SW	Ready on key-matrix

●ELECTRIC UNIT(X25-84X2-7X)

Ref.No.	Component Name	Application/Function	Operation/Condition/Compatibility
IC1	UPD780058GC107	System MI-COM.	
IC2	TDA7400D	E-VOL. & N.C. MPX	
IC3	PST9130NR	Reset IC	"Lo": Detection voltage below 3.0V
IC4	TDA7384A	Power IC	
IC4	TDA7386	Power IC	
IC5	HD74HC27FP	Mute logic	3 input NOR gate x3
IC6	TDA7479D	RDS decoder	
Q1	2SB1565F(E,F)	BU 5V AVR	Inverted darlington connection
Q2	2SC1740S		ON during BU applied
Q3	DTA124EKorUN2112	SW14V	Audio 8V AVR and Servo AVR ON/OFF control
Q4	DTC144EKorUN2213		Q3 is turned ON when Q4's base goes "Hi".
Q5	2SB1184	Audio 8V AVR	Q5 is turned ON when Q6's base goes "Hi".
Q6	2SC1740S		Inverted darlington connection
Q7	2SD2396F40	Servo AVR	ON when the base goes "Hi".
Q8	DTC144EKorUN2213	Illumination AVR	Q10 is turned ON when Q8's base goes "Hi".
Q9	DTA124EKorUN2112		
Q10	2SB1184		
Q11	2SC1740S		
Q12	2SC1740S	BU detection(Momentary power down detection)	ON when the base goes "Hi" during BU applied.
Q13	2SC1740S	ACC detection	ON when the base goes "Hi" during ACC applied.
Q14	2SA1036K	SW 5V	ON when the base goes "Lo".
Q17	2SB1277(Q,R)	P-CON SW	Q17 is turned ON when Q20's base goes "Hi".
Q20	DTC114YKorUN2214		ON while power is on or CD loading/eject.
Q18	2SA1037K	P-CON protection	Protect Q17 by turning ON when P-CON output is grounded.
Q19	DTA124EKorUN2112		Prevents Q18 tuning ON during start-up after power ON.
Q50	DTC144EKorUN2213	RESET SW	System RESET is activated when the panel reset SW is pressed.
Q51	2SC2412Kor2SD601A	DSI SW	ON when the base goes "Hi".
Q150	DTC114YKorUN2214	SVR SW	POWER IC RESET is activated when the base goes "Hi".
Q153	DTC143TKorUN2216	Audio mute SW	Audio pre-outs are muted when the base goes "Hi".
Q154	DTC143TKorUN2216		
Q155	DTA124EKorUN2112	Mute driver for Audio mute SW	ON when the base goes "Lo".
Q156	DTC144EKorUN2213	E-VOL. mute SW	E-VOL. is muted when the base goes "Hi".
Q200	2SB1277(Q,R)	FM+B SW	Q200 is turned ON when Q201's base goes "Hi".
Q201	DTC124EKorUN2212		ON during FM reception
Q202	2SB1277(Q,R)	AM+B SW	Q202 is turned ON when Q203's base goes "Hi".
Q203	DTC124EKorUN2212		ON during AM reception
Q204	2SC1740S	Tuner audio out buffer	
Q205	DTC114TKorUN2215	AFC time constant SW	OFF during FM seek, ON during FM reception
Q206	DTA124EKorUN2112		Q205 is turned OFF when Q206's emitter goes "Lo".
Q207	2SA1037K	Panel detection SW	ON when the base goes "Lo" during the panel closed.
Q208	2SC1740S	Noise buffer	

●CD PLAYER UNIT(X32-4600/4700-00)

Ref.No.	Component Name	Application/Function	Operation/Condition/Compatibility
IC1	AN8806SB	RF amplifier	Generation of RF signal based on the signals from the APC circuit and pickup, and generation of servo error(focusing error and tracking error) signals. Detection of dropout, anti-shock, track crossing and off-track conditions.
IC2	MN662770KA7	CD signal processor built-in MI-COM.	Focusing, tracking, sled and spindle servo processing. Automatic adjustment(focusing, tracking, gain, offset and balance) operations. Digital signal processing(DSP, PLL, sub-codes, CIRC error correction, audio data interpolation) operations.
IC4	BA5917AFP	BTL driver	Focusing coil, tracking coil, spindle motor and sled motor driver
IC5	TA78L05F	5V AVR	
IC6	NJM4565MD	Low pass filter	
Q1	2SA1362(Y)	APC	LD power control
Q2	DTC124EUA	POWER SW	Power on during the source selected CD
Q3	2SA1362(Y)	A.8V SW	A8V line ON/OFF control
Q4	2SA1362(Y)	D.5V SW	D5V line ON/OFF control
Q5	DTC124EUA	MOTOR ON SW	Power on during CD roading or eject action
Q6	2SA1576A	TE LEVEL SW	OFF during CDR play

MICROCOMPUTER'S TERMINAL DESCRIPTION**●Terminal Description**

Pin	Function	I/O	Description	Processing Operation
1	AV CONT	O	A/D converter reference voltage control output	"Hi": ON / "Lo": OFF
2	IC2 TYPE0	I	IC2 setting terminal	"Lo": Initial value
3	IC2 TYPE1	I	IC2 setting terminal	"Lo": Initial value
4	AVSS	-	Ground connection terminal	connected to GND
5	M MUTEL	I	Muting request from the MICOM. of CD mecha.	"Lo": Mute request
6	N.C	O	Not used	
7	AVREF1	I	D/A converter reference voltage input	
8	ILLUMI	O	Illumination AVR ON/OFF control output	"Hi": AVR ON
9	L RES	O	Reset output to the LCD driver IC	"Lo": Reset
10	PANEL	I	Panel open/close detection input	"Lo": Panel closed
11	L DATAL	I	Data input from the LCD driver IC	
12	L DATAS	O	Data output to the LCD driver IC	
13	L CLK	O	Clock output to the LCD driver IC	
14	N.C	O	Not used	
15	N.C	O	Not used	
16	CH-DATAC	I	Data input from changers	
17	CH-DATAH	O	Data output to changers	
18	CH-CLK	I/O	Clock input/output with changers	
19	L CE	O	CE output to the LCD driver IC	"Hi": Active
20	N.C	O	Not used	
21	M RST	O	Reset output to the MICOM. of CD mecha.	"Lo": Reset
22	M STOP	O	Stop request to the MICOM. of CD mecha.	"Lo": Stop
23	MOSW	O	CD mechanism loading motor control output	"Hi": Loading & Eject / "Lo": other
24	PLL SCL	O	Clock output to the tuner pack	
25	AM+B	O	AM+B control	"Hi": during AM reception
26	FM+B	O	FM+B control	"Hi": during FM reception
27	M-SCL	I/O	Clock input/output with the MICOM. of CD mecha.	
28	DSI	O	DSI output	"Hi": LED ON
29	LO/EJ	I/O	CD mecha.Loading/Eject switching output	"Lo": Loading / "Hi": Eject
30	SW3	I	Down & limit switch detection input	"Hi": Chucking / "Lo": Pickup most inner position
31	R DATA	I	Data input from RDS decoder	
32	R QUAL	I	Quality input from RDS decoder	
33	VSS1	-	Ground connection terminal	connected to GND
34	SD	I	SD input from the tuner pack	"Hi": Station detected
35	IC2 SCL	O	Clock output to the E-VOL. IC	
36	M-SDA	I/O	Data input/output with the MICOM. of CD mecha.	
37	PLL SDA	I/O	Data input/output with the tuner pack	
38	IC2 SDA	I/O	Data input/output with the E-VOL. IC	
39	MUTE	O	Mute control output	"Hi": Mute ON / "Lo": Mute OFF
40	N.C	O	Not used	
41	AFC	O	AFC control output	"Lo": during FM seek
42	CH-REQH	O	Request output to changers	"Lo": Request
43	CH-CON	O	Changer control	"Lo": Standby / "Hi": ON
44	N.C	O	Not used	
45	P MUTE	O	Power IC mute control	"Lo": Mute
46	SVR	O	Power IC reset terminal	When the momentary power down,after ACC OFF/ON is detected and after POWER ON/OFF, the output goes "Hi" temporarily.
47	STBY	O	Power IC standby control output	"Hi": POWER ON mode
48	P CON	O	Power control	"Hi": POWER ON mode except ALL OFF mode
49	P ANT	O	Antenna control	"Hi": during FM/AM reception
50	BEEP	O	BEEP sound output	
51	ACC DET	I	ACC detection input	"Hi": ACC OFF / "Lo": ACC ON
52	BU DET	I	Momentary power down detection input	"Hi": When momentary power down detected or BU OFF / "Lo": BU ON
53	N.C	O	Not used	

MICROCOMPUTER'S TERMINAL DESCRIPTION

Pin	Function	I/O	Description	Processing Operation
54	N.C	O	Not used	
55	N.C	O	Not used	
56	SW5	O	SW 5V control	"Lo": POWER ON mode
57	P ON	O	Microprocessor peripheral power supply control terminal	"Hi": ACC ON or during CD Loading/Eject
58	TYPE2	I	Destination type input terminal 2	
59	N.C	O	Not used	
60	RESET	I	Reset input terminal	"Lo": System reset
61	REMO	I	Data input from the remote control light sensor	
62	R CLK	I	Clock input from RDS decoder	
63	CH-REQC	I	Request input from changers	"Hi": Request
64	SW1	I	Loading detection	"Lo": CD chucking
65	KEY-REQ	I	Key request terminal	"Lo": Request
66	SW2	I	12cm disc detection terminal	"Lo": 12cm disc
67	VSS0	-	Ground connection terminal	connected to GND
68	VDD1	-	VDD connection terminal	
69	X2	-	Main clock resonator connection terminal	
70	X1	I	Main clock resonator connection terminal	
71	IC(TEST)	-	Not used	connected to GND
72	XT2	-	Sub clock resonator connection terminal	N.C.
73	N.C	I	Sub clock resonator connection terminal	connected to BU5V lines
74	VDD0	-	VDD connection terminal	
75	AVREF0	I	A/D converter reference voltage input	
76	SMETER	I	S-meter input from the tuner pack	
77	PHONE	I	PHONE detection input	1V or less: TEL MUTE, 2.5V or greater: NAVI MUTE
78	NOISE	I	Noise detection input	
79	TYPE0	I	Destination type input terminal 0	
80	TYPE1	I	Destination type input terminal 1	

KDC-3016RG/303RG/3080RA/RG/RYA/RYG

ADJUSTMENT

NOTE

1. For arm ass'ies Nos.6 and 7 used in the CD mechanism ass'y, use the combination of the following parts.

Ref.No.	Parts No.	Parts No.
6	D10-4306-04	D10-3083-44
7	D10-4305-04	D10-3084-44

2. The parts numbers of arm ass'ies Nos.6 and 7 shown in the exploded view of CD mechanism ass'y are D40-4306-04 and D40-4305-04 respectively.

TEST MODE

1. To enter test mode

While holding the "FM" key and preset "6" key, reset the unit. All indication segments are ON at the beginning of test mode.

2. To release test mode

Simply reset the unit.

(NOTE) The test mode is not canceled by ACC OFF, power OFF, momentary power down or the panel detaching.

3. CD receiver test mode specification

Pressing the "Track up" key jumps between tracks in the following order.

No.9 → No.15 → No.10 → No.11 → No.12 → No.13 → No.14
→ No.9 (Same as the beginning)

Pressing the "Track down" key jumps to the previous track to the being played.

Pressing the preset "1" key jumps to No.28 track.

4. Audio adjustment

The volume is set to -10dB (which is shown as 30).

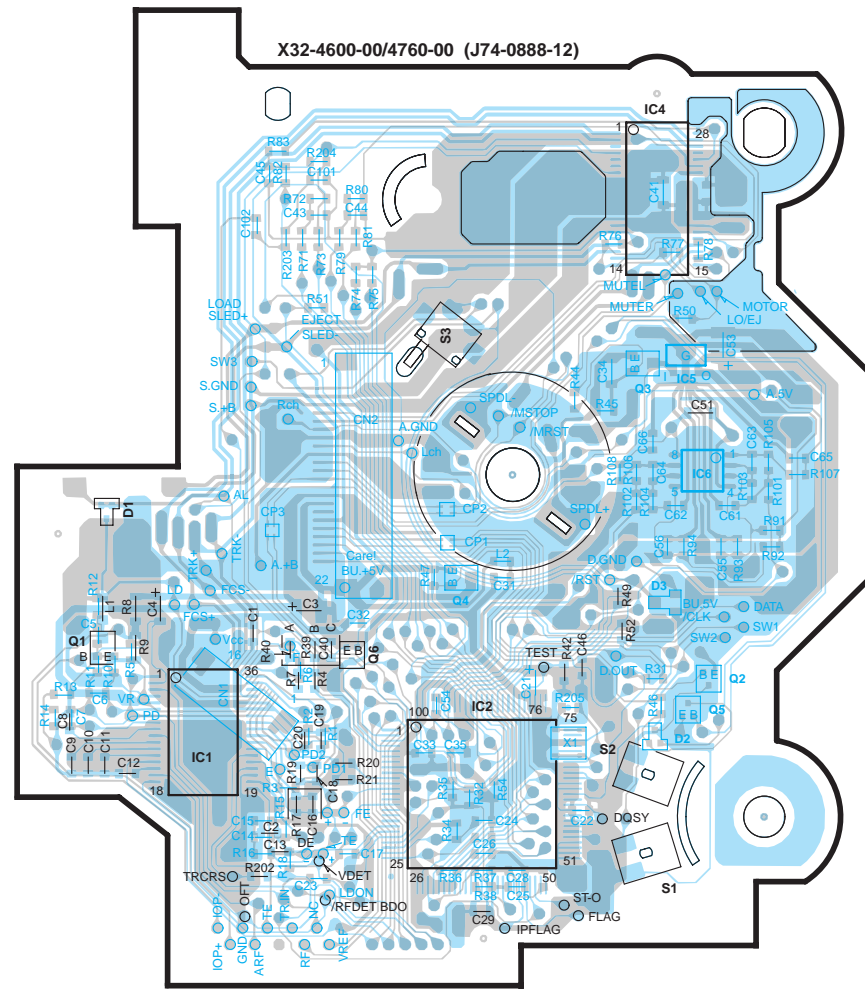
Loudness is OFF.

The BASS / TREBLE and BALANCE / FADER controls can be set to the full boost / full cut and full front / full rear respectively by pressing the "Track UP" / "Track DOWN" keys.

Sound coordination doesn't appear for the feed.

PC BOARD (Component Side View)

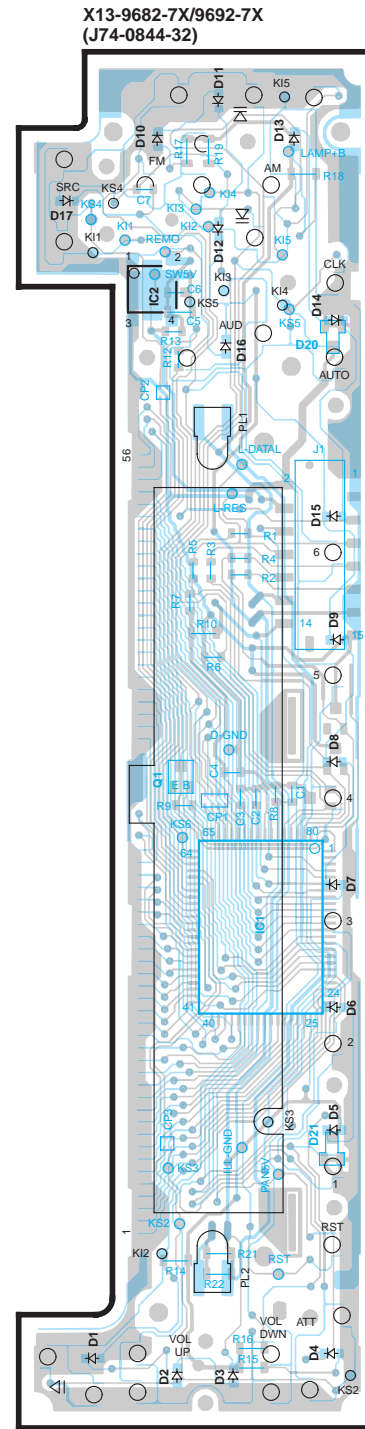
CD PLAYER UNIT



CD PLAYER UNIT
(X32-4XX0-00)

Ref. NO.	IC	Q	Address
1			4A
2			4B
4			2C
5			3C
6			3C
	1		4A
	2		4C
	3		3C
	4		3B
	5		4C
	6		4B

SWITCH UNIT

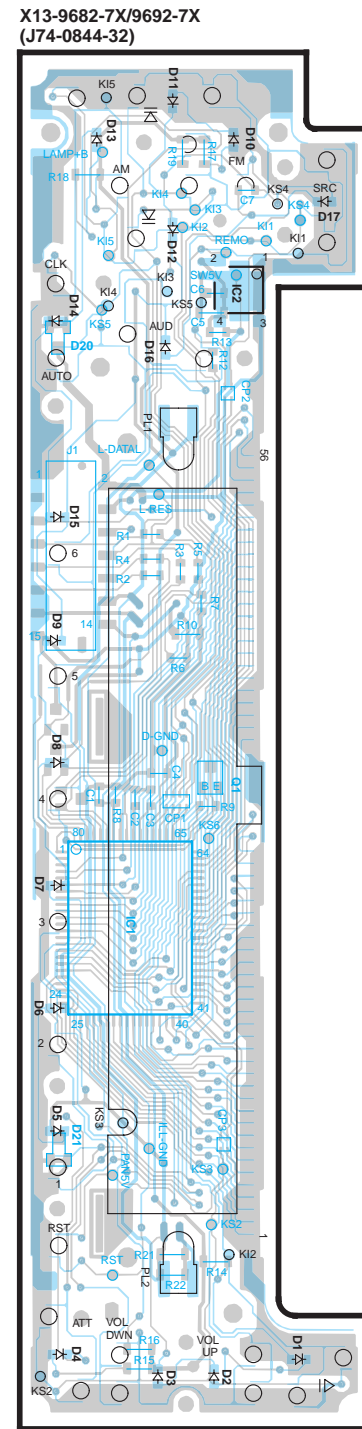


SWITCH UNIT
(X13-96X2-7X)

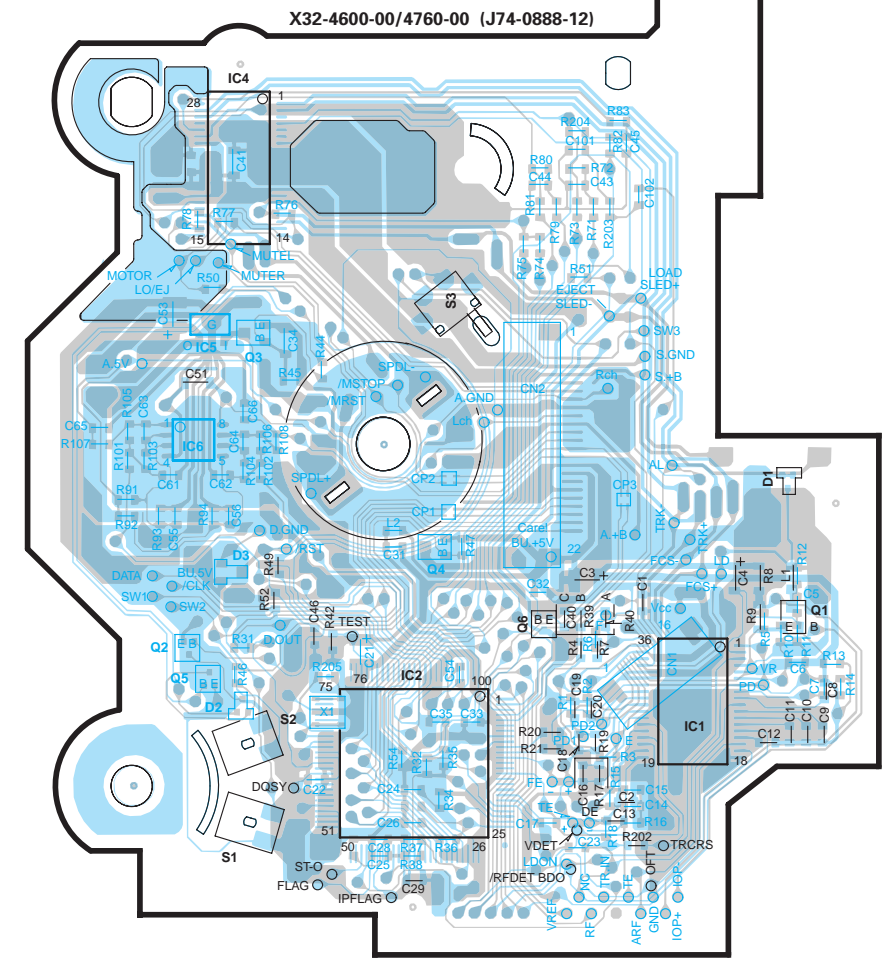
Ref. NO.	IC	Q	Address
1			5E
	1		4D

PC BOARD (Foil Side View)

SWITCH UNIT



CD PLAYER UNIT



SWITCH UNIT
(X13-96X2-7X)

Ref. NO.	IC	Q	Address
1			5F
	1		4F

CD PLAYER UNIT
(X32-4XX0-00)

Ref. NO.	IC	Q	Address
1			4I
2			4H
4			2H
5			3H
6			3H
	1		4I
	2		4H
	3		3H
	4		3H
	5		4H
	6		4I

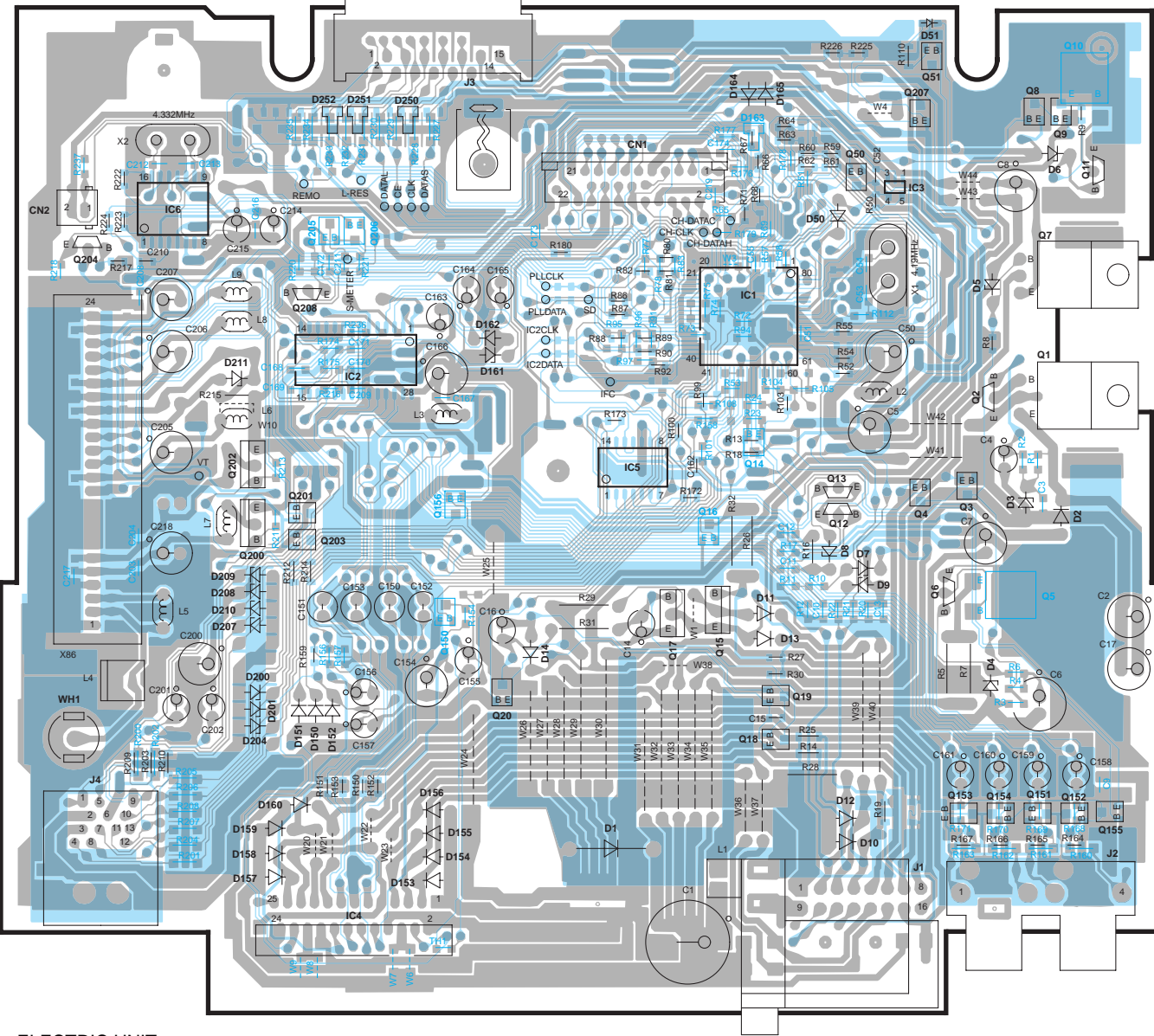
Refer to the schematic diagram for the values of resistors and capacitors.

PC BOARD (Component Side View)

PC BOARD (Foil Side View)

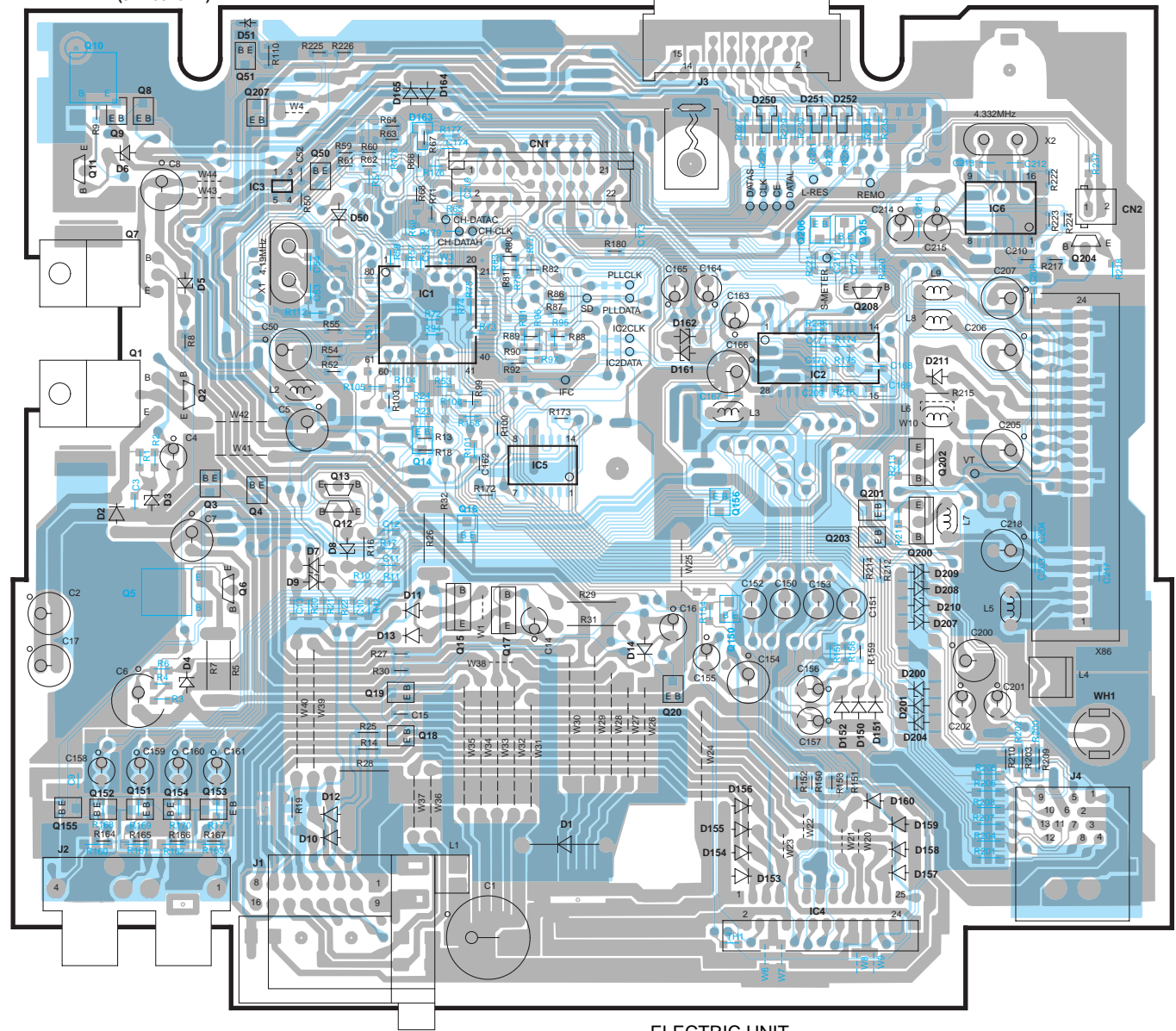
ELECTRIC UNIT

X25-8430-23/2-72
X25-8442-72 (J74-0976-12)



ELECTRIC UNIT

X25-8430-23/2-72
X25-8442-72 (J74-0976-12)



ELECTRIC UNIT (X25-84XX-XX)

Ref. NO.	IC	Q	Address
1			3L
2			3K
3			2M
4			5K
5			3L
6			2J
1			3M
2			3M
3			3M
4			3M
5			4M
6			4M
7			2M
8			2M
9			2M
10			2M

Ref. NO.	IC	Q	Address
11			2M
12			3L
13			3L
14			3L
17			4L
18			4L
19			4L
20			4K
50			2L
51			2M
150			4K
153			5M
154			5M
155			5M
156			3K
200			3J

Ref. NO.	IC	Q	Address
201			3J
202			3J
203			3J
204			2J
205			2J
206			2K
207			2M
208			3J

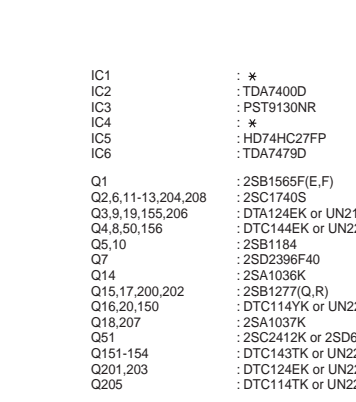
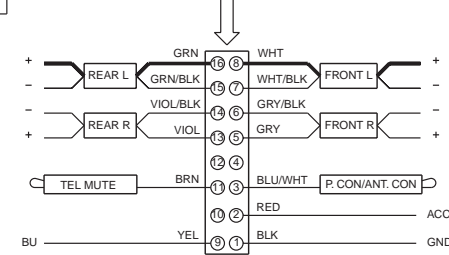
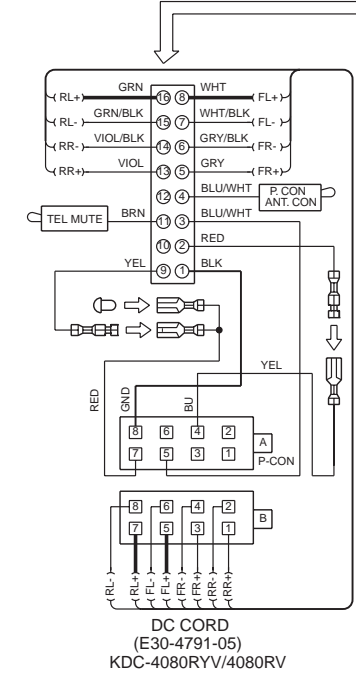
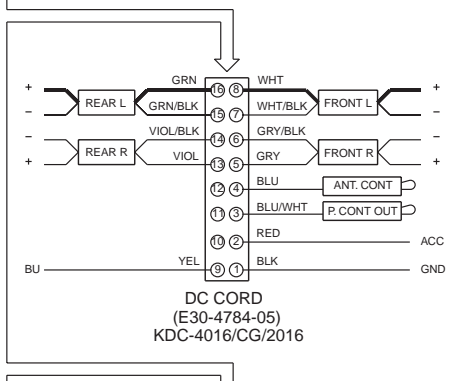
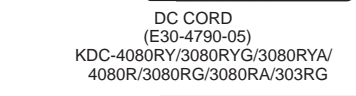
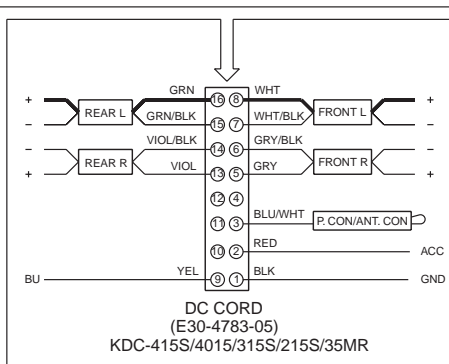
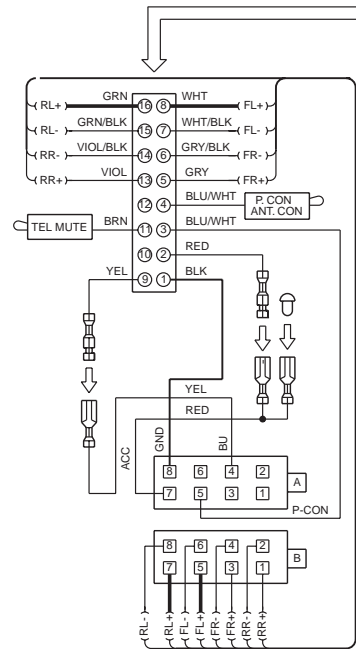
ELECTRIC UNIT (X25-84XX-XX)

Ref. NO.	IC	Q	Address
1			3O
2			3Q
3			2O
4			5Q
5			3P
6			2R
1			3N
2			3O
3			3O
4			3O
5			4N
6			4O
7			2N
8			2N
9			2N
10			2N

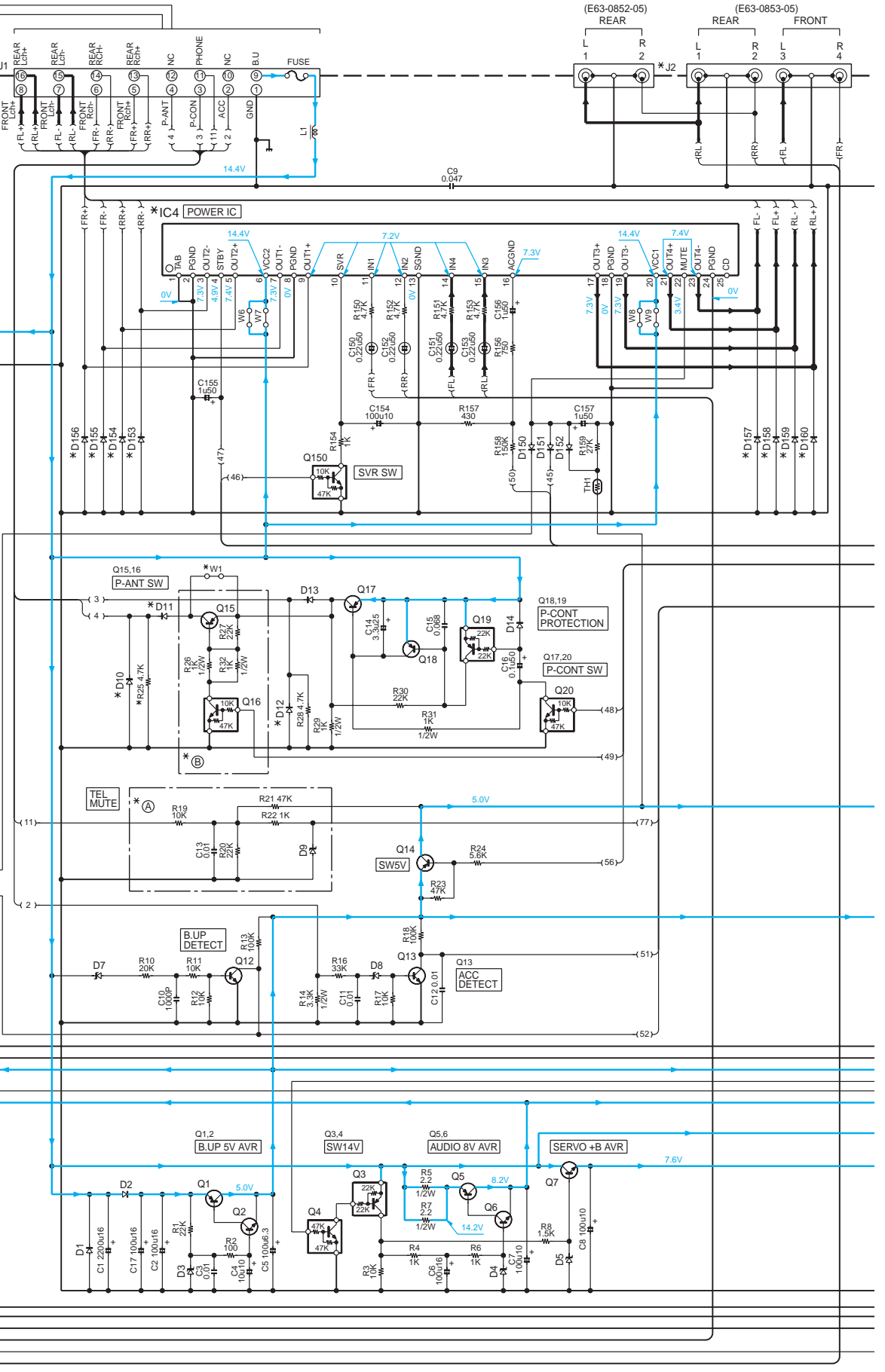
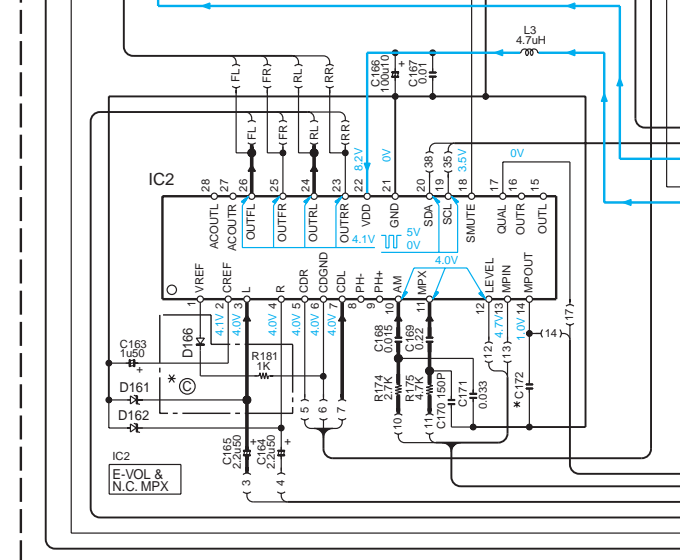
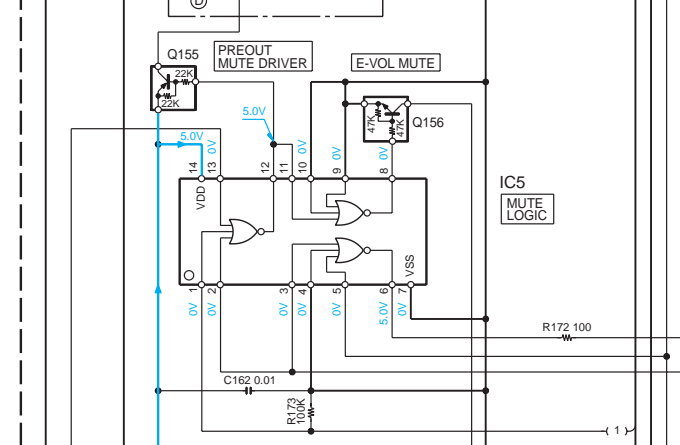
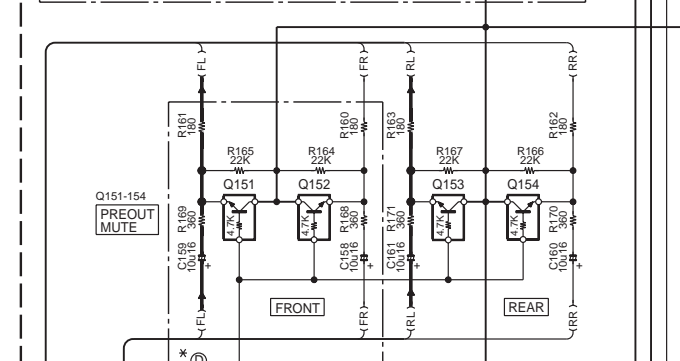
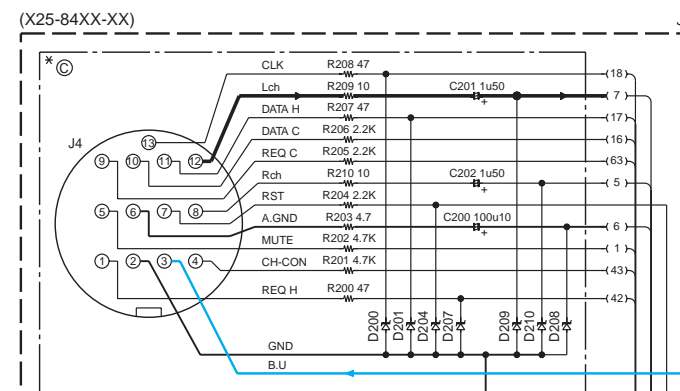
Ref. NO.	IC	Q	Address
11			2N
12			3O
13			3O
14			3O
17			4P
18			4O
19			4O
20			4P
50			2O
51			2O
150			4Q
153			5O
154			5N
155			5N
156			3Q
200			3Q

Ref. NO.	IC	Q	Address
201			3Q
202			3Q
203			3Q
204			2R
205			2Q
206			2Q
207			2O
208			3Q

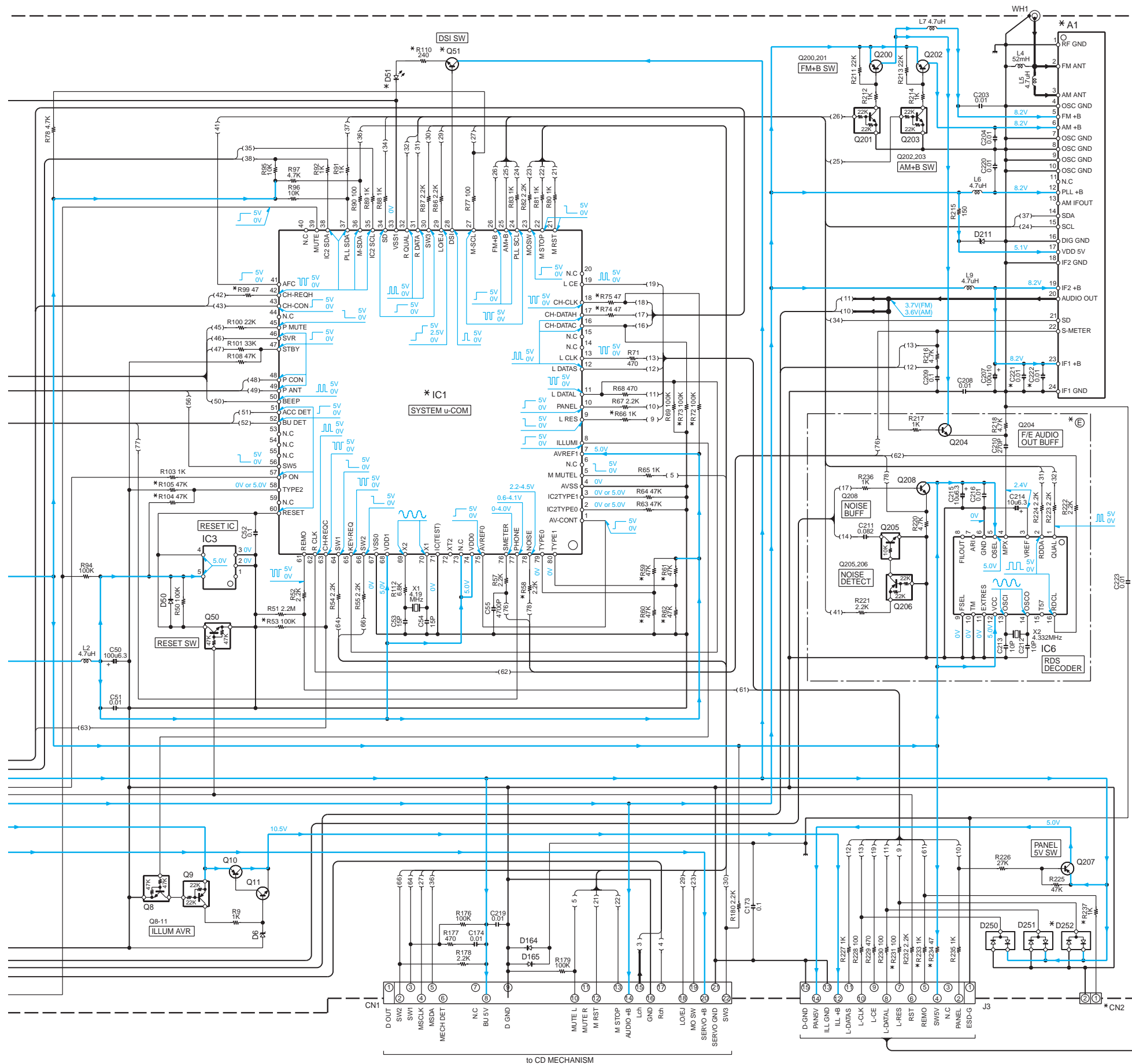
Refer to the schematic diagram for the values of resistors and capacitors.



- | | | | |
|--------------------|-----------------------|------------------------|---------------------|
| IC1 | : * | | |
| IC2 | : TDA7400D | | |
| IC3 | : PST9130NR | | |
| IC4 | : * | | |
| IC5 | : HD74HC27FP | | |
| IC6 | : TDA7479D | | |
| Q1 | : 2SB1565F(E,F) | D1 | : S2V20 * A |
| Q2,6,11-13,204,208 | : 2SC1740S | D2,10-13,153-160 | : AM012 or ERA15-01 |
| Q3,9,19,155,206 | : DTA124EK or UN2112 | D3 | : MA4056(N)-M |
| Q4,8,50,156 | : DTC144EK or UN2213 | D4 | : MA4091(N)-L |
| Q5,10 | : 2SB1184 | D5 | : MA4082(N)-L |
| Q7 | : 2SD2396F40 | D6 | : MA4110-L |
| Q14 | : 2SA1036K | D7,8,161,162,209,210 | : MA4068(N)-M |
| Q15,17,200,202 | : 2SB1277(Q,R) | D9 | : MA4047-M |
| Q16,20,150 | : 2SC114YK or UN2214 | D14,50,150-152,164-166 | : 1SS133 |
| Q18,207 | : 2SA1037K | D51 | : B30-1511-05 |
| Q16,20,150 | : 2SC2412K or 2SD601A | D250-252 | : DA204K |
| Q151-154 | : DTC143TK or UN2216 | D200,201,204,207,208 | : MA4062-L |
| Q201,203 | : DTC124EK or UN2212 | D211 | : MA4051(N)-M |
| Q205 | : DTC114TK or UN2215 | | |



1
2
3
4
5
6
7



(X25-84XX-XX)

MODEL NAME	UNIT No.	Ⓐ	Ⓑ	Ⓒ	Ⓓ	C172	C221	C222	CN2	D10, 11	D12	D51, 252	D153-160
KDC-415S	X25-8430-10	NO	NO	YES	YES	0.082	NO	YES	NO	NO	YES	NO	YES
KDC-4015	X25-8430-11	NO	NO	YES	YES	0.082	NO	YES	NO	NO	YES	NO	YES
KDC-315S	X25-8430-12	NO	NO	YES	NO	0.082	NO	YES	NO	NO	YES	NO	YES
KDC-215S	X25-8430-13	NO	NO	NO	NO	0.082	NO	YES	NO	NO	YES	NO	YES
KDC-35MR	X25-8430-14	NO	NO	YES	NO	0.082	NO	YES	YES	NO	YES	NO	YES
KDC-4016/CG	X25-8430-21	NO	YES	YES	YES	0.082	NO	YES	NO	NO	YES	NO	YES
KDC-2016	X25-8430-22	NO	YES	NO	NO	0.082	NO	YES	NO	NO	YES	NO	YES
KDC-3016RG	X25-8430-23	YES	NO	NO	NO	120P	YES	NO	NO	NO	YES	YES	YES
KDC-4080RY	X25-8432-71	YES	NO	YES	YES	120P	YES	NO	NO	NO	YES	NO	YES
KDC-4080RYV	X25-8432-73	YES	NO	YES	YES	120P	YES	NO	NO	NO	YES	NO	YES
KDC-3080RYG	X25-8432-72	YES	NO	NO	NO	120P	YES	NO	NO	NO	YES	NO	NO
KDC-3080RYA	X25-8442-70	YES	NO	YES	YES	120P	YES	NO	NO	NO	YES	NO	YES
KDC-4080R	X25-8442-71	YES	NO	YES	YES	120P	YES	NO	NO	NO	YES	NO	YES
KDC-3080RG	X25-8442-72	YES	NO	NO	NO	120P	YES	NO	NO	NO	YES	NO	NO
KDC-3080RA	X25-8442-73	YES	NO	NO	NO	120P	YES	NO	NO	NO	YES	NO	NO
KDC-303RG	X25-8442-74	YES	NO	NO	NO	120P	YES	NO	NO	NO	YES	NO	NO

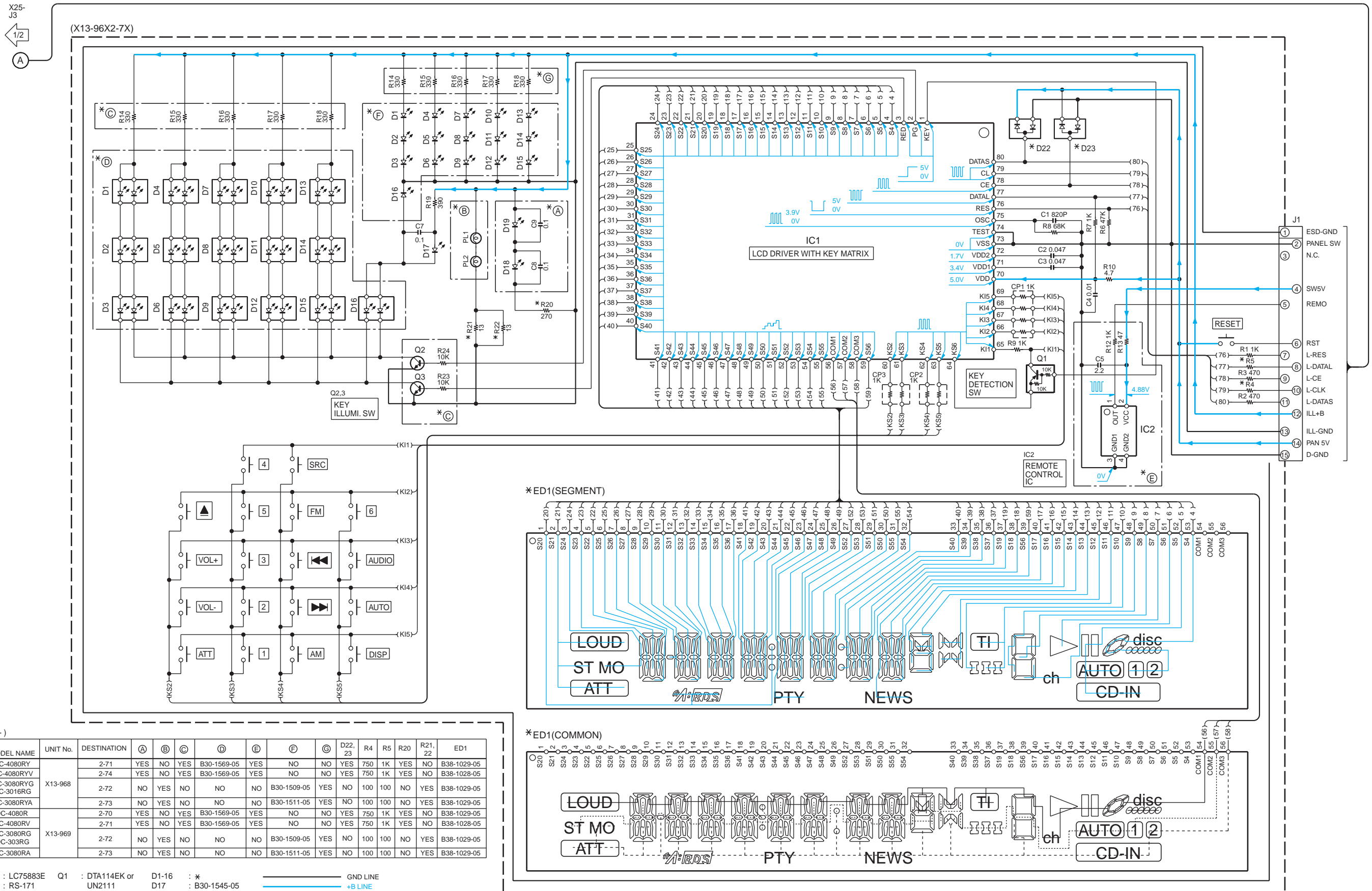
MODEL NAME	UNIT No.	J2	Q51	R25	R53,72-75, 98,233	R58, 110	R59	R60	R61	R62	R66, 231
KDC-415S	X25-8430-10	E63-0853-05	NO	NO	YES	NO	NO	YES	NO	YES	NO
KDC-4015	X25-8430-11	E63-0853-05	NO	NO	YES	NO	NO	YES	NO	YES	NO
KDC-315S	X25-8430-12	E63-0852-05	NO	NO	YES	NO	NO	YES	NO	YES	NO
KDC-215S	X25-8430-13	E63-0852-05	NO	NO	NO	NO	NO	YES	YES	NO	NO
KDC-35MR	X25-8430-14	E63-0852-05	NO	NO	NO	NO	NO	YES	NO	YES	NO
KDC-4016/CG	X25-8430-21	E63-0853-05	NO	YES	YES	NO	YES	NO	YES	NO	NO
KDC-2016	X25-8430-22	E63-0852-05	NO	YES	NO	NO	NO	YES	NO	YES	NO
KDC-3016RG	X25-8430-23	E63-0852-05	YES	YES	NO	YES	NO	YES	YES	NO	YES
KDC-4080RY	X25-8432-71	E63-0853-05	YES	YES	YES	NO	YES	NO	YES	YES	YES
KDC-4080RYV	X25-8432-73	E63-0853-05	YES	YES	YES	YES	YES	NO	YES	YES	YES
KDC-3080RYG	X25-8432-72	E63-0852-05	YES	YES	NO	YES	NO	YES	NO	YES	NO
KDC-3080RYA	X25-8442-70	E63-0853-05	YES	YES	YES	YES	NO	YES	NO	YES	YES
KDC-4080R	X25-8442-71	E63-0853-05	YES	YES	YES	YES	YES	NO	NO	YES	YES
KDC-3080RG	X25-8442-72	E63-0853-05	YES	YES	YES	YES	YES	NO	NO	YES	YES
KDC-3080RA	X25-8442-73	E63-0853-05	YES	YES	YES	YES	YES	NO	NO	YES	YES
KDC-303RG	X25-8442-74	E63-0852-05	YES	YES	NO	YES	NO	YES	YES	NO	YES

MODEL NAME	UNIT No.	R104	R105	R234	R237	W1	A1	IC1	IC4
KDC-415S	X25-8430-10	NO	YES	YES	NO	NO	X86-3160-11	UPD780058GC144	TDA7386
KDC-4015	X25-8430-11	NO	YES	YES	NO	NO	X86-3160-11	UPD780058GC144	TDA7386
KDC-315S	X25-8430-12	NO	YES	YES	NO	NO	X86-3160-11	UPD780058GC144	TDA7386
KDC-215S	X25-8430-13	NO	YES	YES	NO	NO	X86-3160-11	UPD780058GC144	TDA7386
KDC-35MR	X25-8430-14	YES	NO	YES	YES	NO	X86-3160-11	UPD780058GC144	TDA7386
KDC-4016/CG	X25-8430-21	NO	YES	YES	NO	NO	X86-3160-11	UPD780058GC130	TDA7386
KDC-2016	X25-8430-22	YES	NO	YES	NO	NO	X86-3160-11	UPD780058GC144	TDA7386
KDC-3016RG	X25-8430-23	NO	NO	NO	NO	NO	X86-3162-70	UPD780058GC107	TDA7384A
KDC-4080RY	X25-8432-71	NO	NO	YES	NO	YES	X86-3162-70	UPD780058GC107	TDA7384A
KDC-4080RYV	X25-8432-73	NO	NO	YES	NO	YES	X86-3162-70	UPD780058GC107	TDA7384A
KDC-3080RYG	X25-8432-72	NO	NO	NO	NO	YES	X86-3162-70	UPD780058GC107	TDA7384A
KDC-3080RYA	X25-8442-70	NO	NO	YES	NO	YES	X86-3172-70	UPD780058GC107	TDA7384A
KDC-4080R	X25-8442-71	NO	NO	YES	NO	YES	X86-3172-70	UPD780058GC107	TDA7384A
KDC-3080RG	X25-8442-72	NO	NO	NO	NO	YES	X86-3172-70	UPD780058GC107	TDA7384A
KDC-3080RA	X25-8442-73	NO	NO	NO	NO	YES	X86-3172-70	UPD780058GC107	TDA7384A
KDC-303RG	X25-8442-74	NO	NO	NO	NO	YES	X86-3172-70	UPD780058GC107	TDA7384A

CAUTION:For continued safety, replace safety critical components only with manufacturer's recommended parts (refer to, parts list). ⚠ Indicates safety critical components. To reduce the risk of electric shock, leakage-current or resistance measurements shall be carried out (exposed parts are acceptably insulated from the supply circuit) before the appliance is returned to the customer.

DC voltages are as measured with a high impedance voltmeter. Values may vary slightly due to variations between individual instruments or/and units.





(X13-)

MODEL NAME	UNIT No.	DESTINATION	A	B	C	D	E	F	G	D22, 23	R4	R5	R20	R21, 22	ED1
KDC-4080RY	X13-968	2-71	YES	NO	YES	B30-1569-05	YES	NO	NO	YES	750	1K	YES	NO	B38-1029-05
KDC-4080RYV		2-74	YES	NO	YES	B30-1569-05	YES	NO	NO	YES	750	1K	YES	NO	B38-1028-05
KDC-3080RYG		2-72	NO	YES	NO	NO	B30-1509-05	YES	NO	NO	100	100	NO	YES	B38-1029-05
KDC-3080RYA			2-73	NO	YES	NO	NO	B30-1511-05	YES	NO	NO	100	100	NO	YES
KDC-4080R	X13-969	2-70	YES	NO	YES	B30-1569-05	YES	NO	NO	YES	750	1K	YES	NO	B38-1029-05
KDC-4080RV		2-71	YES	NO	YES	B30-1569-05	YES	NO	NO	YES	750	1K	YES	NO	B38-1028-05
KDC-3080RG		2-72	NO	YES	NO	NO	B30-1509-05	YES	NO	NO	100	100	NO	YES	B38-1029-05
KDC-3080RA			2-73	NO	YES	NO	NO	B30-1511-05	YES	NO	NO	100	100	NO	YES

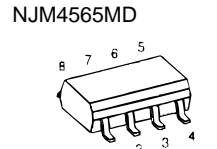
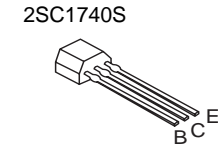
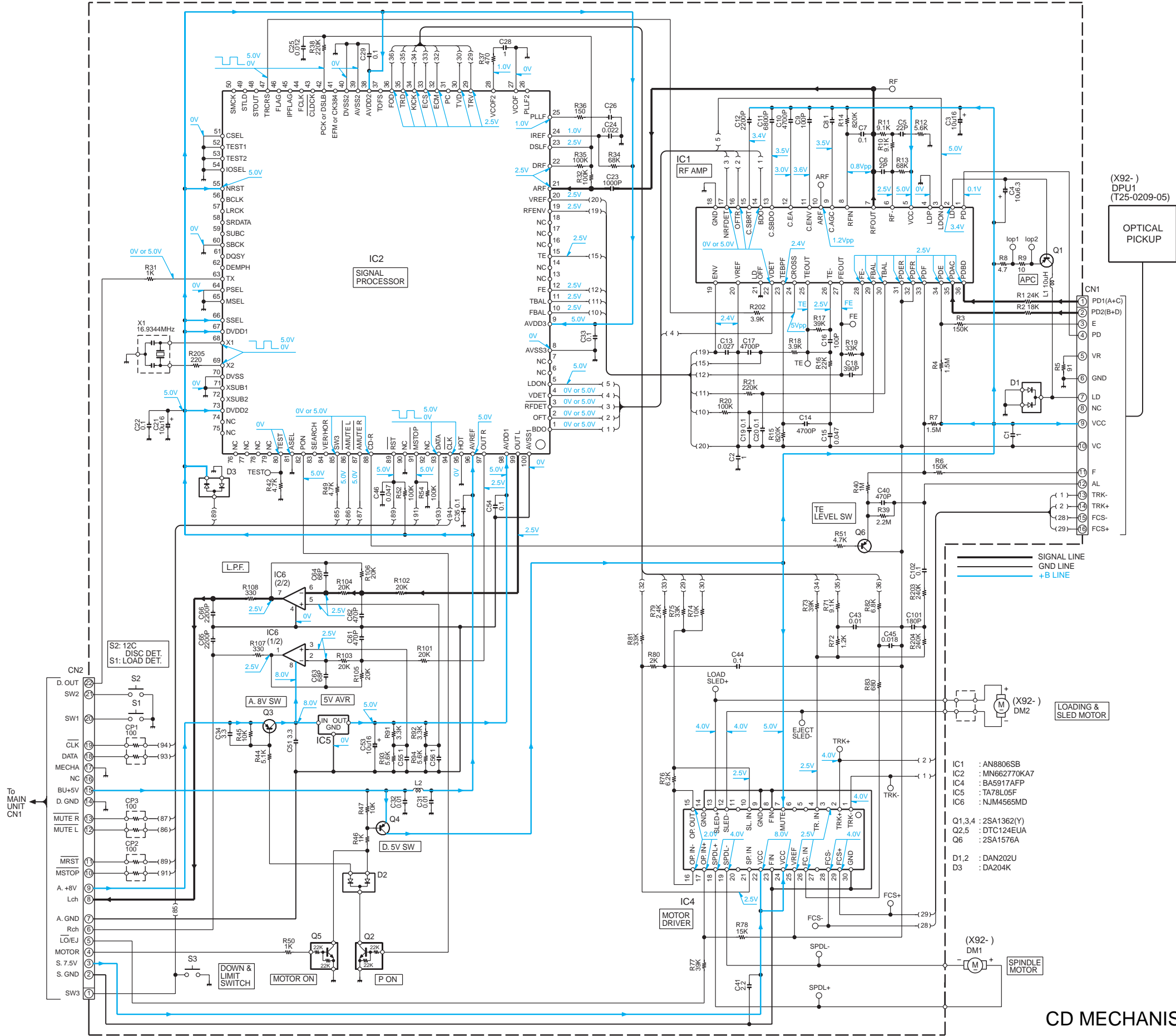
IC1 : LC75883E Q1 : DTA114EK or D1-16 : *
 IC2 : RS-171 UN2111 D17 : B30-1545-05
 Q2,3 : 2SD2114K D18,19 : B30-1572-05
 D22,23 : DA204K

— GND LINE
 —+B LINE

CAUTION:For continued safety, replace safety critical components only with manufacturer's recommended parts (refer to, parts list). ⚠ Indicates safety critical components. To reduce the risk of electric shock, leakage-current or resistance measurements shall be carried out (exposed parts are acceptably insulated from the supply circuit) before the appliance is returned to the customer.

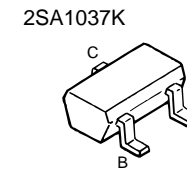
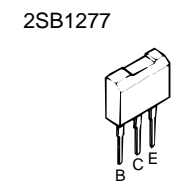
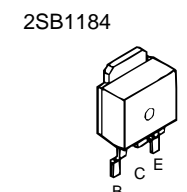
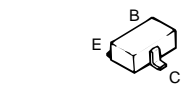
DC voltages are as measured with a high impedance voltmeter. Values may vary slightly due to variations between individual instruments or/and units.

CD PLAYER UNIT
DXM-1330 : (X32-4600-00) / DXM-1330Y : (X32-4760-00)



- DTA114EK
- DTA124EK
- DTC114TK
- DTC114YK
- DTC124EK
- DTC143TK
- DTC144EK
- 2SA1036K
- 2SA1362
- 2SA1576A
- 2SC2412K

- DAN202U
- TA78L05F
- DA204K
- PST9130NR
- AN8806SB
- TDA7479D



(X92-) DPU1 (T25-0209-05)
OPTICAL PICKUP

(X92-) DM2
LOADING & SLED MOTOR

(X92-) DM1
SPINDLE MOTOR

- IC1 : AN8806SB
- IC2 : MN662770KA7
- IC4 : BA5917AFP
- IC5 : TA78L05F
- IC6 : NJM4565MD
- Q1,3,4 : 2SA1362(Y)
- Q2,5 : DTC124EUA
- Q6 : 2SA1576A
- D1,2 : DAN202U
- D3 : DA204K

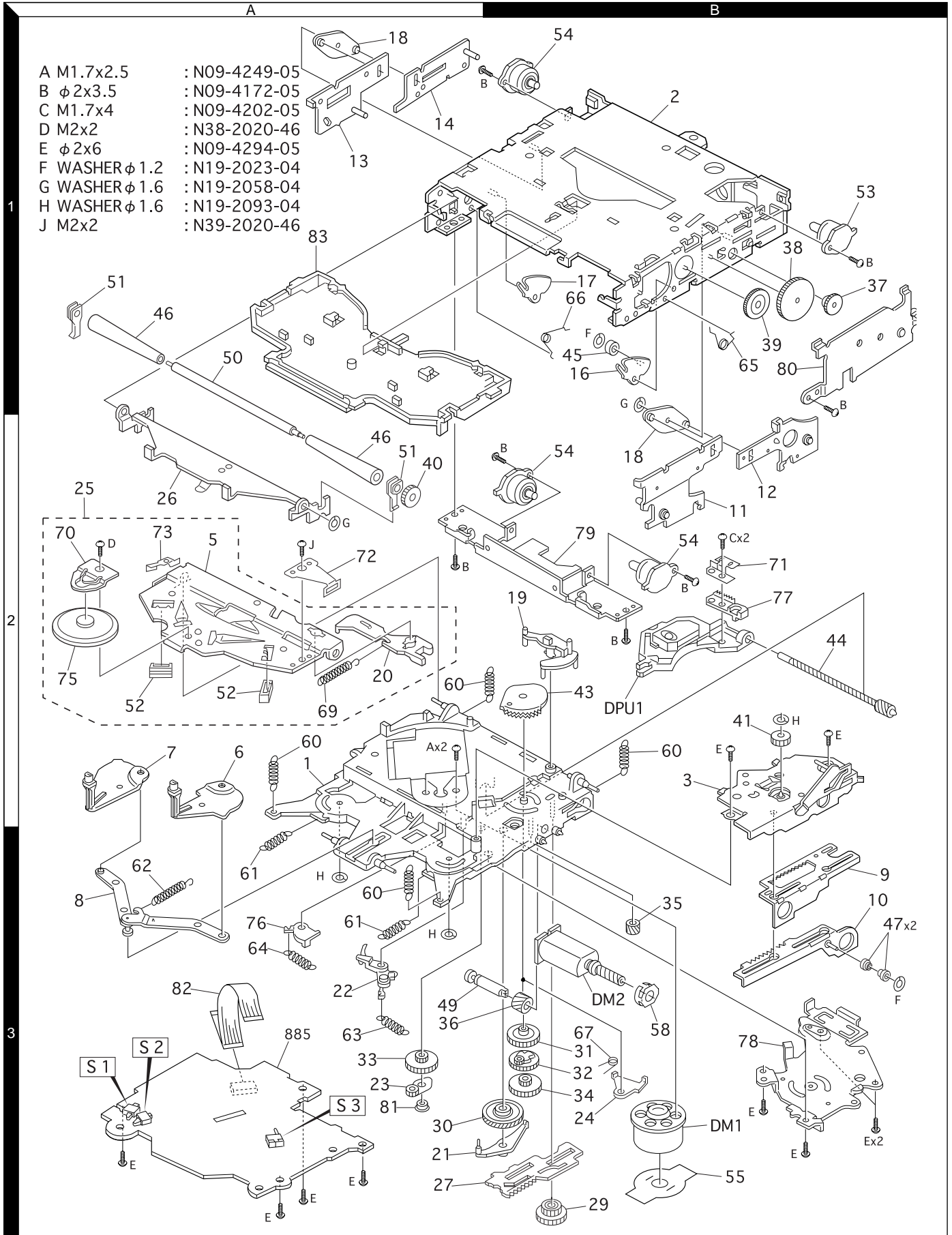
CD MECHANISM

KDC-3016RG/303RG/3080RA/RG/RYA/RYG

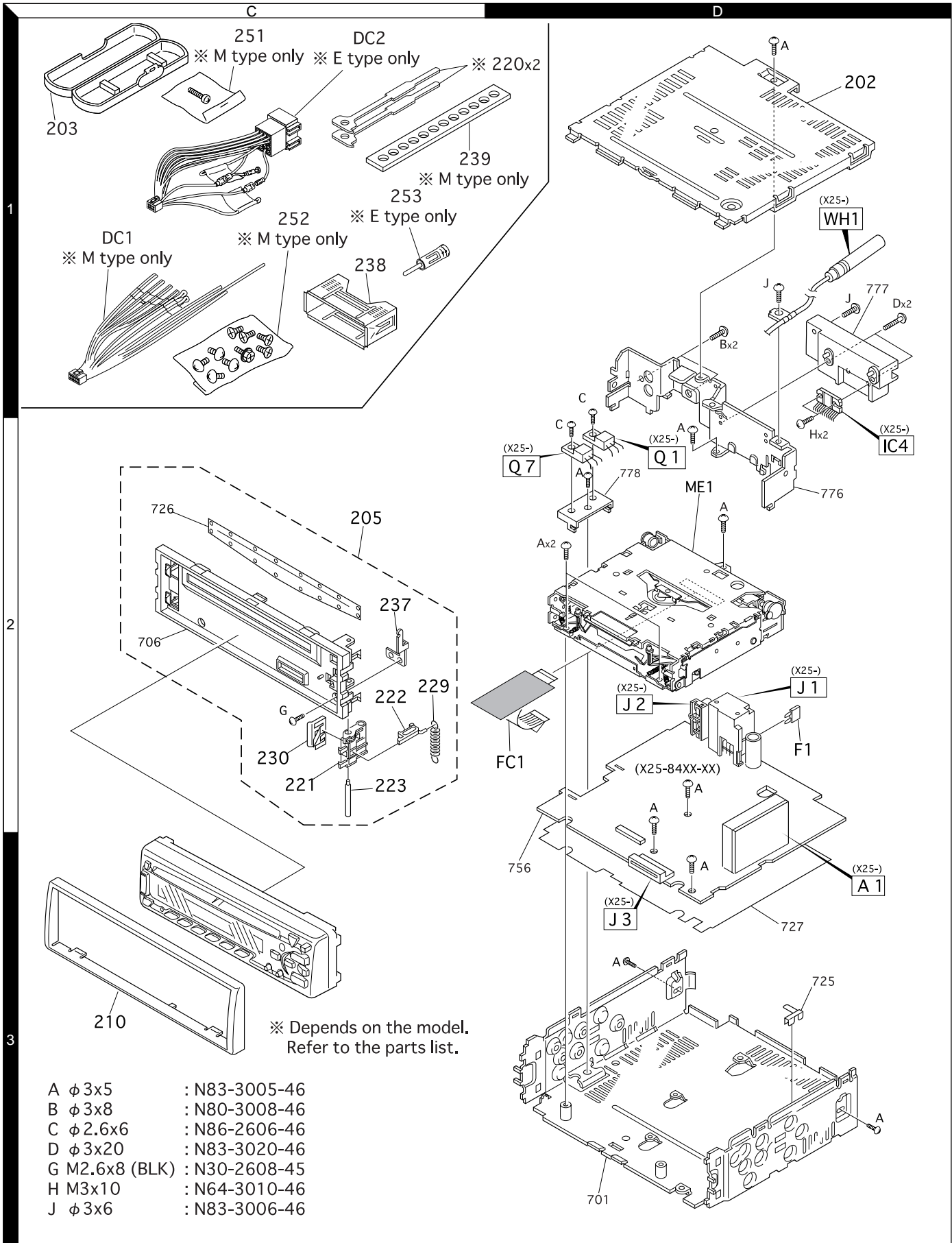
KDC-3016RG/303RG/3080RA/RG/RYA/RYG

EXPLODED VIEW (CD MECHANISM)

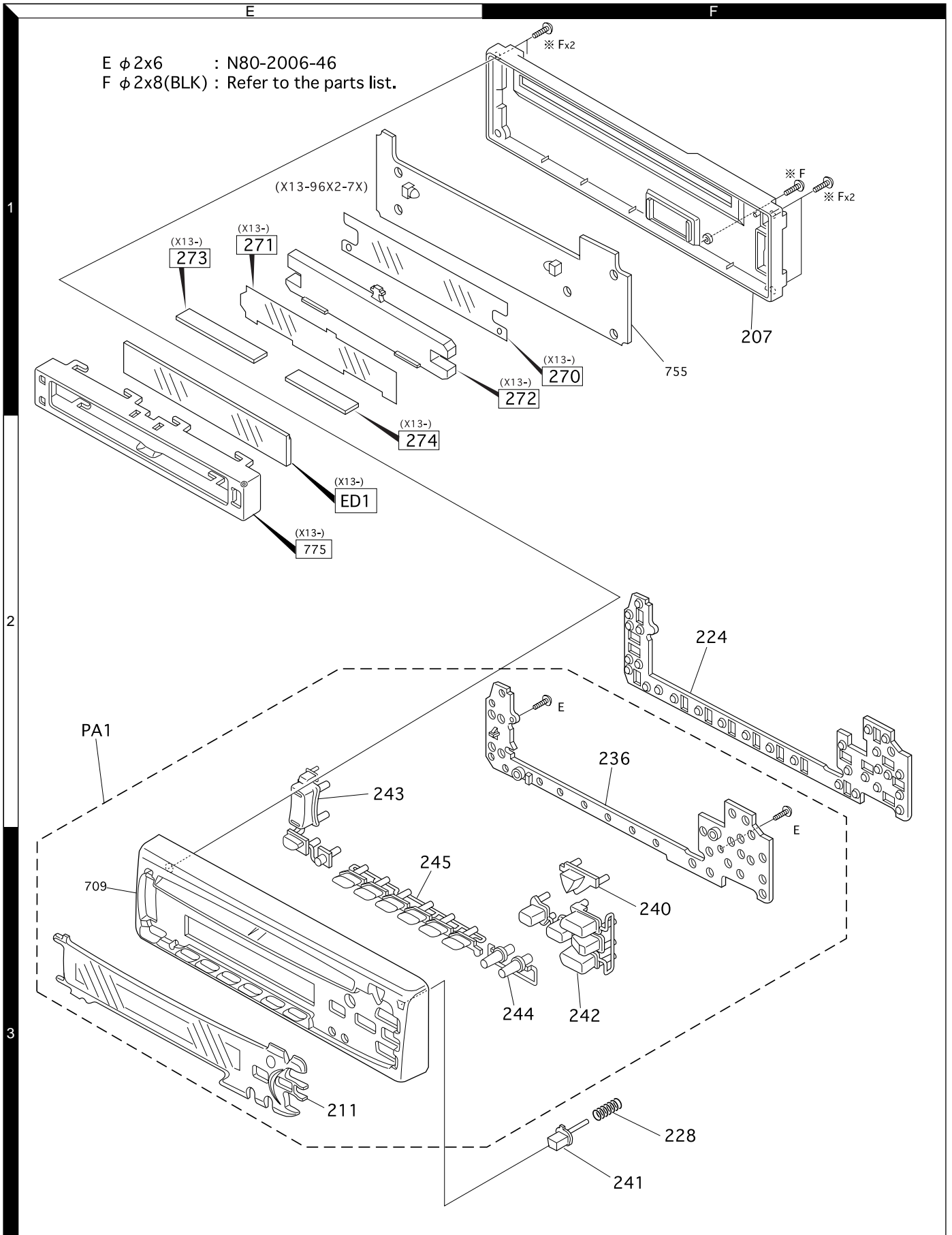
- | | | |
|---|-------------|---------------|
| A | M1.7x2.5 | : N09-4249-05 |
| B | φ2x3.5 | : N09-4172-05 |
| C | M1.7x4 | : N09-4202-05 |
| D | M2x2 | : N38-2020-46 |
| E | φ2x6 | : N09-4294-05 |
| F | WASHER φ1.2 | : N19-2023-04 |
| G | WASHER φ1.6 | : N19-2058-04 |
| H | WASHER φ1.6 | : N19-2093-04 |
| J | M2x2 | : N39-2020-46 |



EXPLODED VIEW (UNIT)



EXPLODED VIEW (DISPLAY)



Parts with exploded numbers larger than 700 are not supplied.

KDC-3016RG/303RG/3080RA/RG/RYA/RYG

PARTS LIST

* New Parts

Parts without Parts No. are not supplied.

Les articles non mentionnés dans le Parts No. ne sont pas fournis.

Teile ohne Parts No. werden nicht geliefert.

**KDC-3016RG/303RG/3080RA/RG/RYA/RYG
SWITCH UNIT(X13-96X2-7X)**

Ref.No.	A d d	N e w	Parts No.	Description	Dest inati on
KDC-3016RG/303RG/3080RA/RG/RYA/RYG					
202	1D		A52-0739-12	TOP PLATE	
203	1C		A02-1486-13	PLASTIC CABINET ASSY	
205	2C	*	A22-2382-03	SUB PANEL ASSY	
207	1F	*	A46-1655-01	REAR COVER	
PA1	2E	*	A64-1892-12	PANEL ASSY	M
PA1	2E	*	A64-1898-12	PANEL ASSY	EE1E2
PA1	2E	*	A64-1898-12	PANEL ASSY	E3
PA1	2E	*	A64-1899-12	PANEL ASSY	E4
210	3C	*	B07-2181-02	ESCUTCHEON	
211	3E	*	B10-3126-11	FRONT GLASS	M
211	3E	*	B10-3130-11	FRONT GLASS	EE1E2
211	3E	*	B10-3130-11	FRONT GLASS	E3
211	3E	*	B10-3131-11	FRONT GLASS	E4
-			B46-0100-50	WARRANTY CARD	E4
-			B46-0100-50	WARRANTY CARD	ME2E3
-			B46-0182-14	ID CARD	E2E3
-			B46-0606-04	ID CARD	EE1ME4
-		*	B64-1549-00	INST.MANUAL (ENGLISH)	E2E3
-		*	B64-1550-00	INST.MANUAL (FRE,GER,DUT)	E2E3
-		*	B64-1551-00	INST.MANUAL (ITA,SPA,POR)	E2E3E4
-		*	B64-1553-00	INST.MANUAL (ENG,RUS,POL)	EE1
-		*	B64-1554-00	INST.MANUAL (CZE,HUN)	EE1
-		*	B64-1555-00	INST.MANUAL (SWE,FIN)	EE1
-		*	B64-1585-00	INST.MANUAL (ENG,CHI)	M
220	1C		D10-3031-04	LEVER	EE1M
220	1C		D10-4197-04	LEVER	E2E3E4
221	2C		D10-4051-33	LEVER	
222	2C		D10-4052-03	LEVER	
223	2C		D21-2250-04	SHAFT	
224	2F		E29-1571-02	CONDUCTIVE RUBBER	
DC1	1C	*	E30-4785-05	DC CORD	M
DC2	1C	*	E30-4790-05	DC CORD	EE1E2
DC2	1C	*	E30-4790-05	DC CORD	E3E4
FC1	2D		E39-0180-05	FLAT CABLE	
F1	2D		F52-0006-05	FUSE(MINI BLADE TYPE) (10A)	
F1	2D	*	F52-0011-05	FUSE(MINI BLADE TYPE) (10A)	EE1M
228	3F		G01-2738-04	COMPRESSION SPRING	
229	2C		G01-2792-04	EXTENSION SPRING	
230	2C		G02-1244-03	FLAT SPRING	
-		*	H10-4693-02	POLYSTYRENE FOAMED FIXTURE	EE1M
-		*	H10-4694-02	POLYSTYRENE FOAMED FIXTURE	E2E3E4
-			H25-0329-04	PROTECTION BAG (280X450X0.03)	EE1M
-			H25-0337-04	PROTECTION BAG (180X300X0.03)	
-			H25-1111-04	PROTECTION BAG (280X450X0.03)	E2E3E4
-		*	H54-1637-03	ITEM CARTON CASE	M
-		*	H54-1640-03	ITEM CARTON CASE	E2
-		*	H54-1641-03	ITEM CARTON CASE	E3
-		*	H54-1642-03	ITEM CARTON CASE	E4
-		*	H54-1646-03	ITEM CARTON CASE	E
-		*	H54-1647-03	ITEM CARTON CASE	E1

Ref.No.	A d d	N e w	Parts No.	Description	Dest inati on
236	2F		J19-4878-22	HOLDER	
237	2C		J21-7726-04	MOUNTING HARDWARE	
238	1C	*	J21-9491-03	MOUNTING HARDWARE ASSY	
239	1C		J54-0606-04	STAY	M
240	3F		K24-1924-14	KNOB (SRC)	
241	3F		K24-1948-14	KNOB (RELEASE)	
242	3F		K25-0965-03	KNOB (FM,AM,UP,DOWN,AUD)	
243	2E		K25-0967-03	KNOB (VOL,ATT,EJECT)	
244	3F		K25-1036-03	KNOB (AUTO,CLK)	
245	3E		K25-1037-03	KNOB (PRESET1-6)	
251	1C		N99-1610-15	SCREW SET	M
252	1C		N99-1632-05	SCREW SET	M
A	1D		N83-3005-46	PAN HEAD TAPTITE SCREW	
E	2F		N80-2006-46	PAN HEAD TAPTITE SCREW	
F	1F		N80-2008-45	PAN HEAD TAPTITE SCREW	EE1M
F	1F		N83-2008-45	PAN HEAD TAPTITE SCREW	E2E3E4
G	2C		N30-2608-45	PAN HEAD MACHINE SCREW	
253	1C		T90-0523-05	ANTENNA ADAPTOR	EE1E2
253	1C		T90-0523-05	ANTENNA ADAPTOR	E3E4
253	1C	*	T90-0534-05	ANTENNA ADAPTOR	EE1E2
253	1C	*	T90-0534-05	ANTENNA ADAPTOR	E3E4
ME1	2D		X92-3590-00	CD MECHANISM ASSY	
SWITCH UNIT (X13-96X2-7X)					
270	1F		B11-0974-04	REFLECTION SHEET	
271	1E		B11-0975-04	OPTICAL DIFFUSER	
272	1F		B19-1164-33	LIGHTING BOARD	
D1 -16			B30-1509-05	LED	EME2E4
D1 -16			B30-1511-05	LED(RED)	E1E3
D17			B30-1545-05	LED(BLUE)	
ED1	2E	*	B38-1029-05	LIQUID CRYSTAL	
PL1 ,2			B30-1485-05	LAMP (5.5V 0.125A)	
PL1 ,2			B30-1543-05	LAMP (GRN,5.5V,0.12)	EE1M
C1			CK73FB1H821K	CHIP C 820PF K	
C2 ,3			CK73FB1E473K	CHIP C 0.047UF K	
C4			CK73FB1H103K	CHIP C 0.010UF K	
C7			CK73FB1C104K	CHIP C 0.10UF K	
273	1E		E29-1575-04	CONDUCTIVE RUBBER (L)	
274	2E		E29-1579-04	CONDUCTIVE RUBBER (R)	
J1			E59-0828-05	RECTANGULAR PLUG (15P)	
CP1			R90-0724-05	MULTI-COMP 1K X4	
CP2 ,3			R90-0725-05	MULTI-COMP 1K X2	
R1			RK73FB2A102J	CHIP R 1.0K J 1/10W	
R2 ,3			RK73FB2A471J	CHIP R 470 J 1/10W	
R4 ,5			RK73FB2A101J	CHIP R 100 J 1/10W	
R6			RK73FB2A473J	CHIP R 47K J 1/10W	
R7			RK73FB2A102J	CHIP R 1.0K J 1/10W	
R8			RK73FB2A683J	CHIP R 68K J 1/10W	
R9			RK73FB2A102J	CHIP R 1.0K J 1/10W	
R10			RK73EB2B4R7J	CHIP R 4.7 J 1/8W	
R14 -18			RK73EB2B331J	CHIP R 330 J 1/8W	
R19			RK73EB2B391J	CHIP R 390 J 1/8W	
R21 ,22			RK73EB2B130J	CHIP R 13 J 1/8W	

E: KDC-3080RYG **E1:** KDC-3080RYA **E2:** KDC-3080RG **E3:** KDC-3080RA **E4:** KDC-303RG
M: KDC-3016RG

△ indicates safety critical components.

KDC-3016RG/303RG/3080RA/RG/RYA/RYG

PARTS LIST

* New Parts

Parts without Parts No. are not supplied.

Les articles non mentionnés dans le Parts No. ne sont pas fournis.

Teile ohne Parts No. werden nicht geliefert.

**SWITCH UNIT(X13-96X2-7X)
ELECTRIC UNIT(X25-84XX-XX)**

Ref.No.	A d d	N e w	Parts No.	Description	Dest inati on
IC1			LC75883E	MOS-IC	
Q1			DTA114EK	DIGITAL TRANSISTOR	
Q1			UN2111	DIGITAL TRANSISTOR	EE1M
ELECTRIC UNIT (X25-84XX-XX)					
D51			B30-1511-05	LED(RED)	
C1			C90-5235-05	ELECTRO 220UF 16WV	
C2			CE04DW1C101M	ELECTRO 100UF 16WV	
C3			CK73FB1H103K	CHIP C 0.010UF K	
C4			C90-2594-05	ELECTRO 10UF 10WV	
C5			CE04CW0J101M	ELECTRO 100UF 6.3WV	
C6			CE04CW1C101M	ELECTRO 100UF 16WV	
C7,8			CE04CW1A101M	ELECTRO 100UF 10WV	
C9			CK73FB1E473K	CHIP C 0.047UF K	
C10			CK73FB1H102K	CHIP C 1000PF K	
C11 -13			CK73FB1H103K	CHIP C 0.010UF K	
C14			C90-2598-05	ELECTRO 3.3UF 25WV	
C15			CK73FB1E683K	CHIP C 0.068UF K	
C16			C90-2602-05	ELECTRO 0.10UF 50WV	
C17			CE04DW1C101M	ELECTRO 100UF 16WV	
C50			CE04CW0J101M	ELECTRO 100UF 6.3WV	
C51			CK73FB1H103K	CHIP C 0.010UF K	
C52			CK73FB1C104K	CHIP C 0.10UF K	
C53,54			CC73FCH1H150J	CHIP C 15PF J	
C55			CK73FB1H472K	CHIP C 4700PF K	
C150-153		*	C90-5296-05	ELECTRO 0.22UF 50WV	
C154			CE04CW1A101M	ELECTRO 100UF 10WV	
C155			C90-2608-05	ELECTRO 1.0UF 50WV	
C156			C90-2935-05	ELECTRO 1.0UF 50WV	
C157			C90-2608-05	ELECTRO 1.0UF 50WV	
C160,161			C90-2597-05	ELECTRO 10UF 16WV	
C162			CK73FB1H103K	CHIP C 0.010UF K	
C163			C90-2608-05	ELECTRO 1.0UF 50WV	
C164,165			C90-2610-05	ELECTRO 2.2UF 50WV	
C166			CE04CW1A101M	ELECTRO 100UF 10WV	
C167			CK73FB1H103K	CHIP C 0.010UF K	
C168			CK73FB1H153K	CHIP C 0.015UF K	
C169			CK73FB1C224K	CHIP C 0.22UF K	
C170			CC73FCH1H151J	CHIP C 150PF J	
C171			CK73FB1E333K	CHIP C 0.033UF K	
C172			CC73FCH1H121J	CHIP C 120PF J	
C173			CK73FB1C104K	CHIP C 0.10UF K	
C174			CK73FB1H103K	CHIP C 0.010UF K	
C203,204			CK73FB1H103K	CHIP C 0.010UF K	
C207			CE04CW1A101M	ELECTRO 100UF 10WV	
C208			CK73FB1H103K	CHIP C 0.010UF K	
C209			CK73FB1C104K	CHIP C 0.10UF K	
C210			CC73FCH1H271J	CHIP C 270PF J	
C211			CK73FB1C823K	CHIP C 0.082UF K	
C212,213			CC73FCH1H100D	CHIP C 10PF D	
C214,215			C90-2592-05	ELECTRO 10UF 6.3WV	
C216			CK73FB1H103K	CHIP C 0.010UF K	
C219-221			CK73FB1H103K	CHIP C 0.010UF K	
C223			CK73FB1H103K	CHIP C 0.010UF K	

Ref.No.	A d d	N e w	Parts No.	Description	Dest inati on
△ CN1			E40-9550-05	FLAT CABLE CONNECTOR (22P)	
J1	2D		E58-0863-15	RECTANGULAR RECEPTACLE (16P)	
J2	2D		E63-0852-05	PIN JACK (2P)	
J3	3D		E58-0879-05	RECTANGULAR RECEPTACLE (15P)	
WH1	1D		E30-4440-05	CORD WITH PLUG	
L1			L33-1119-05	CHOKE COIL ASSY	
L2,3			L40-4795-91	SMALL FIXED INDUCTOR(4.7UH,J)	
L4			L33-1123-05	LINE FILTER COIL	
L5-7			L40-4795-91	SMALL FIXED INDUCTOR(4.7UH,J)	
L9			L40-4795-91	SMALL FIXED INDUCTOR(4.7UH,J)	
X1			L77-1167-05	CRYSTAL RESONATOR(4.19MHZ)	
X2			L77-2002-05	CRYSTAL RESONATOR(4.332MHZ)	
B	1D		N80-3008-46	PAN HEAD TAPTITE SCREW	
C	2D		N86-2606-46	BINDING HEAD TAPTITE SCREW	
D	1D		N83-3020-46	PAN HEAD TAPTITE SCREW	
H	2D		N64-3010-46	PAN HEAD SEMS SCREW	
J	1D		N83-3006-46	PAN HEAD TAPTITE SCREW	
R1			RK73FB2A223J	CHIP R 22K J 1/10W	
R2			RK73FB2A101J	CHIP R 100 J 1/10W	
R3			RK73FB2A103J	CHIP R 10K J 1/10W	
R4			RK73FB2A102J	CHIP R 1.0K J 1/10W	
R5			RD14DB2H2R2J	SMALL-RD 2.2 J 1/2W	
R6			RK73FB2A102J	CHIP R 1.0K J 1/10W	
R7			RD14DB2H2R2J	SMALL-RD 2.2 J 1/2W	
R8			RK73FB2A152J	CHIP R 1.5K J 1/10W	
R9			RK73FB2A102J	CHIP R 1.0K J 1/10W	
R10			RK73FB2A203J	CHIP R 20K J 1/10W	
R11,12			RK73FB2A103J	CHIP R 10K J 1/10W	
R13			RK73FB2A104J	CHIP R 100K J 1/10W	
R14			RD14DB2H332J	SMALL-RD 3.3K J 1/2W	
R16			RD14BB2C333J	RD 33K J 1/6W	
R17			RK73FB2A103J	CHIP R 10K J 1/10W	
R18			RK73FB2A104J	CHIP R 100K J 1/10W	
R19			RK73EB2B103J	CHIP R 10K J 1/8W	
R20			RK73FB2A223J	CHIP R 22K J 1/10W	
R21			RK73FB2A473J	CHIP R 47K J 1/10W	
R22			RK73FB2A102J	CHIP R 1.0K J 1/10W	
R23			RK73FB2A473J	CHIP R 47K J 1/10W	
R24			RK73FB2A562J	CHIP R 5.6K J 1/10W	
R25			RK73EB2B472J	CHIP R 4.7K J 1/8W	
R25			RK73EB2B472J	CHIP R 4.7K J 1/8W	
R28			RK73EB2B472J	CHIP R 4.7K J 1/8W	
R29			RD14DB2H102J	SMALL-RD 1.0K J 1/2W	
R30			RK73FB2A223J	CHIP R 22K J 1/10W	
R31			RD14DB2H102J	SMALL-RD 1.0K J 1/2W	
R50			RK73FB2A104J	CHIP R 100K J 1/10W	
R51			RK73FB2A225J	CHIP R 2.2M J 1/10W	
R52			RK73FB2A222J	CHIP R 2.2K J 1/10W	
R54,55			RK73FB2A222J	CHIP R 2.2K J 1/10W	
R57,58			RK73FB2A222J	CHIP R 2.2K J 1/10W	
R60,61			RK73FB2A473J	CHIP R 47K J 1/10W	
R63,64			RK73FB2A473J	CHIP R 47K J 1/10W	
R65,66			RK73FB2A102J	CHIP R 1.0K J 1/10W	
R67			RK73FB2A222J	CHIP R 2.2K J 1/10W	

EE1E2
E3E4

E: KDC-3080RYG E1: KDC-3080RYA E2: KDC-3080RG E3: KDC-3080RA E4: KDC-303RG
M: KDC-3016RG

△ indicates safety critical components.

KDC-3016RG/303RG/3080RA/RG/RYA/RYG

PARTS LIST

* New Parts

Parts without Parts No. are not supplied.

Les articles non mentionnes dans le Parts No. ne sont pas fournis.

Teile ohne Parts No. werden nicht geliefert.

ELECTRIC UNIT(X25-84XX-XX)

Ref.No.	A d d	N e w	Parts No.	Description	Dest inati on
R68			RK73FB2A471J	CHIP R 470 J 1/10W	
R69			RK73FB2A104J	CHIP R 100K J 1/10W	
R71			RK73FB2A471J	CHIP R 470 J 1/10W	
R77			RK73FB2A101J	CHIP R 100 J 1/10W	
R78			RK73FB2A472J	CHIP R 4.7K J 1/10W	
R80,81			RK73FB2A102J	CHIP R 1.0K J 1/10W	
R82			RK73FB2A222J	CHIP R 2.2K J 1/10W	
R83			RK73FB2A102J	CHIP R 1.0K J 1/10W	
R86,87			RK73FB2A222J	CHIP R 2.2K J 1/10W	
R88,89			RK73FB2A102J	CHIP R 1.0K J 1/10W	
R90			RK73FB2A101J	CHIP R 100 J 1/10W	
R91,92			RK73FB2A102J	CHIP R 1.0K J 1/10W	
R94			RK73FB2A104J	CHIP R 100K J 1/10W	
R95,96			RK73FB2A103J	CHIP R 10K J 1/10W	
R97			RK73FB2A472J	CHIP R 4.7K J 1/10W	
R100			RK73FB2A223J	CHIP R 22K J 1/10W	
R101			RK73FB2A333J	CHIP R 33K J 1/10W	
R103			RK73FB2A102J	CHIP R 1.0K J 1/10W	
R108			RK73FB2A473J	CHIP R 47K J 1/10W	
R110			RK73EB2B241J	CHIP R 240 J 1/8W	
R112			RK73FB2A682J	CHIP R 6.8K J 1/10W	
R150-153			RK73FB2A472J	CHIP R 4.7K J 1/10W	
R154			RK73FB2A102J	CHIP R 1.0K J 1/10W	
R156			RK73FB2A751J	CHIP R 750 J 1/10W	
R157			RK73FB2A431J	CHIP R 430 J 1/10W	
R158			RK73FB2A154J	CHIP R 150K J 1/10W	
R159			RK73FB2A273J	CHIP R 27K J 1/10W	
R162,163			RK73EB2B181J	CHIP R 180 J 1/8W	
R166,167			RK73FB2A223J	CHIP R 22K J 1/10W	
R170,171			RK73FB2A361J	CHIP R 360 J 1/10W	
R172			RK73FB2A101J	CHIP R 100 J 1/10W	
R173			RK73FB2A104J	CHIP R 100K J 1/10W	
R174			RK73FB2A272J	CHIP R 2.7K J 1/10W	
R175			RK73FB2A472J	CHIP R 4.7K J 1/10W	
R176			RK73FB2A104J	CHIP R 100K J 1/10W	
R177			RK73FB2A471J	CHIP R 470 J 1/10W	
R178			RK73FB2A222J	CHIP R 2.2K J 1/10W	
R179			RK73FB2A104J	CHIP R 100K J 1/10W	
R180			RK73FB2A222J	CHIP R 2.2K J 1/10W	
R211			RK73FB2A223J	CHIP R 22K J 1/10W	
R212			RK73EB2B102J	CHIP R 1.0K J 1/8W	
R213			RK73FB2A223J	CHIP R 22K J 1/10W	
R214			RK73EB2B102J	CHIP R 1.0K J 1/8W	
R215			RD14BB2C151J	RD 150 J 1/6W	
R216			RK73FB2A472J	CHIP R 4.7K J 1/10W	
R217			RK73FB2A102J	CHIP R 1.0K J 1/10W	
R218			RK73FB2A472J	CHIP R 4.7K J 1/10W	
R220			RK73FB2A472J	CHIP R 4.7K J 1/10W	
R221-224			RK73FB2A222J	CHIP R 2.2K J 1/10W	
R225			RK73FB2A473J	CHIP R 47K J 1/10W	
R226			RK73FB2A273J	CHIP R 27K J 1/10W	
R227			RK73EB2B102J	CHIP R 1.0K J 1/8W	
R228			RK73EB2B101J	CHIP R 100 J 1/8W	
R229			RK73EB2B471J	CHIP R 470 J 1/8W	
R230,231			RK73EB2B101J	CHIP R 100 J 1/8W	

Ref.No.	A d d	N e w	Parts No.	Description	Dest inati on
R232			RK73EB2B222J	CHIP R 2.2K J 1/8W	
R235			RK73EB2B102J	CHIP R 1.0K J 1/8W	
R236			RK73FB2A102J	CHIP R 1.0K J 1/10W	
W6-9			R92-2053-05	CHIP R 0 J 1/8W	
D1			S2V20A	DIODE	
D2			AM01Z	DIODE	EE1M
D2			ERA15-01	DIODE	
D3			MA4056(N)-M	ZENER DIODE	
D4			MA4091(N)-L	ZENER DIODE	
D5			MA4082(N)-L	ZENER DIODE	
D6			MA4110-L	ZENER DIODE	
D7,8			MA4068(N)-M	ZENER DIODE	
D9			MA4047-M	ZENER DIODE	
D10,11			AM01Z	DIODE	EE1E2
D10,11			AM01Z	DIODE	E3E4
D10,11			ERA15-01	DIODE	EE1
D12			AM01Z	DIODE	M
D12			ERA15-01	DIODE	M
D13			AM01Z	DIODE	
D13			ERA15-01	DIODE	EE1M
D14			1SS133	DIODE	
D50			1SS133	DIODE	
D150-152			1SS133	DIODE	
D153-160			AM01Z	DIODE	M
D153-160			ERA15-01	DIODE	M
D161,162			MA4068(N)-M	ZENER DIODE	
D164,165			1SS133	DIODE	
D211			MA4051(N)-M	ZENER DIODE	
D250-252			DA204K	DIODE	
IC1		*	UPD780058GC107	MI-COM IC	
IC2		*	TDA7400D	ANALOGUE IC	
IC3			PST9130NR	ANALOGUE IC	
IC4	2D		TDA7384A	ANALOGUE IC	EE1E2
IC4	2D		TDA7384A	ANALOGUE IC	E3E4
IC4	2D		TDA7386	ANALOGUE IC	M
IC5			HD74HC27FP	MOS-IC	
IC6			TDA7479D	ANALOGUE IC	
Q1	2D		2SB1565F(E,F)	TRANSISTOR	
Q2			2SC1740S	TRANSISTOR	
Q3			DTA124EK	DIGITAL TRANSISTOR	
Q3			UN2112	DIGITAL TRANSISTOR	EE1M
Q4			DTC144EK	DIGITAL TRANSISTOR	
Q4			UN2213	DIGITAL TRANSISTOR	EE1M
Q5			2SB1184	TRANSISTOR	
Q6			2SC1740S	TRANSISTOR	
Q7	2D		2SD2396F40	TRANSISTOR	
Q8			DTC144EK	DIGITAL TRANSISTOR	
Q8			UN2213	DIGITAL TRANSISTOR	EE1M
Q9			DTA124EK	DIGITAL TRANSISTOR	
Q9			UN2112	DIGITAL TRANSISTOR	EE1M
Q10			2SB1184	TRANSISTOR	
Q11-13			2SC1740S	TRANSISTOR	
Q14			2SA1036K	TRANSISTOR	
Q17			2SB1277(Q,R)	TRANSISTOR	

E: KDC-3080RYG E1: KDC-3080RYA E2: KDC-3080RG E3: KDC-3080RA E4: KDC-303RG

M: KDC-3016RG

⚠ indicates safety critical components.

PARTS LIST

* New Parts

Parts without Parts No. are not supplied.

Les articles non mentionnes dans le Parts No. ne sont pas fournis.

Teile ohne Parts No. werden nicht geliefert.

ELECTRIC UNIT(X25-84XX-XX)
CD PLAYER UNIT(X32-4600/4760-00)

Ref.No.	A d d	N e w	Parts No.	Description	Dest inati on
Q18			2SA1037K	TRANSISTOR	
Q19			DTA124EK	DIGITAL TRANSISTOR	
Q19			UN2112	DIGITAL TRANSISTOR	EE1M
Q20			DTC114YK	DIGITAL TRANSISTOR	
Q20			UN2214	DIGITAL TRANSISTOR	EE1M
Q50			DTC144EK	DIGITAL TRANSISTOR	
Q50			UN2213	DIGITAL TRANSISTOR	EE1M
Q51			2SC2412K	TRANSISTOR	
Q51			2SD601A	TRANSISTOR	EE1M
Q150			DTC114YK	DIGITAL TRANSISTOR	
Q150			UN2214	DIGITAL TRANSISTOR	EE1M
Q153,154			DTC143TK	DIGITAL TRANSISTOR	
Q153,154			UN2216	DIGITAL TRANSISTOR	EE1M
Q155			DTA124EK	DIGITAL TRANSISTOR	
Q155			UN2112	DIGITAL TRANSISTOR	EE1M
Q156			DTC144EK	DIGITAL TRANSISTOR	
Q156			UN2213	DIGITAL TRANSISTOR	EE1M
Q200			2SB1277(Q,R)	TRANSISTOR	
Q201			DTC124EK	DIGITAL TRANSISTOR	
Q201			UN2212	DIGITAL TRANSISTOR	EE1M
Q202			2SB1277(Q,R)	TRANSISTOR	
Q203			DTC124EK	DIGITAL TRANSISTOR	
Q203			UN2212	DIGITAL TRANSISTOR	EE1M
Q204			2SC1740S	TRANSISTOR	
Q205			DTC114TK	DIGITAL TRANSISTOR	
Q205			UN2215	DIGITAL TRANSISTOR	EE1M
Q206			DTA124EK	DIGITAL TRANSISTOR	
Q206			UN2112	DIGITAL TRANSISTOR	EE1M
Q207			2SA1037K	TRANSISTOR	
Q208			2SC1740S	TRANSISTOR	
TH1			PTH9C42BD471Q	POSITIVE RESISTOR	
A1	3D	*	X86-3162-70	FRONT-END UNIT	EE1M
A1	3D	*	X86-3172-70	FRONT-END UNIT	E2E3E4
CD PLAYER UNIT (X32-4600/4760-00)					
C1,2			CK73FB1A105K	CHIP C 1.0UF K	
C3			C92-1359-05	CHIP-TAN 10UF 16WV	
C4			C92-0566-05	CHIP-TAN 10UF 6.3WV	
C5			CC73FCH1H220J	CHIP C 22PF J	
C6			CC73FCH1H020C	CHIP C 2.0PF C	
C7			CK73FB1C104K	CHIP C 0.10UF K	
C8			CK73FB1A105K	CHIP C 1.0UF K	
C9			CC73FCH1H101J	CHIP C 100PF J	
C10			CK73FB1H472K	CHIP C 4700PF K	
C11			CK73FB1H682K	CHIP C 6800PF K	
C12			CK73FB1H222K	CHIP C 2200PF K	
C13			CK73FB1H273K	CHIP C 0.027UF K	
C14			CK73FB1H472K	CHIP C 4700PF K	
C15			CK73FB1E473K	CHIP C 0.047UF K	
C16			CC73FCH1H101J	CHIP C 100PF J	
C17			CK73FB1H472K	CHIP C 4700PF K	
C18			CK73FB1H391K	CHIP C 390PF K	
C19,20			CK73FB1C104K	CHIP C 0.10UF K	
C21			C92-1359-05	CHIP-TAN 10UF 16WV	
C22			CK73FB1C104K	CHIP C 0.10UF K	

Ref.No.	A d d	N e w	Parts No.	Description	Dest inati on
C23			CK73FB1H102K	CHIP C 1000PF K	
C24			CK73FB1H223K	CHIP C 0.022UF K	
C25			CK73FB1H123K	CHIP C 0.012UF K	
C26			CK73FB1A105K	CHIP C 1.0UF K	
C28			CK73FB1A105K	CHIP C 1.0UF K	
C29			CK73FB1C104K	CHIP C 0.10UF K	
C31,32			CK73FB1H103K	CHIP C 0.010UF K	
C33			CK73FB1C104K	CHIP C 0.10UF K	
C34			CK73EB1A335K	CHIP C 3.3UF K	E2E3E4
C34			CK73EF1C335Z	CHIP C 3.3UF Z	EE1M
C35			CK73FB1C104K	CHIP C 0.10UF K	
C40			CK73FB1H471K	CHIP C 470PF K	
C41			CK73EB1C225K	CHIP C 2.2UF K	
C43			CK73FB1H103K	CHIP C 0.010UF K	
C44			CK73FB1C104K	CHIP C 0.10UF K	
C45			CK73FB1H183K	CHIP C 0.018UF K	
C46			CK73FB1E473K	CHIP C 0.047UF K	
C51			CK73EB1A335K	CHIP C 3.3UF K	E2E3E4
C51			CK73EF1C335Z	CHIP C 3.3UF Z	EE1M
C53			C92-1359-05	CHIP-TAN 10UF 16WV	
C54			CK73FB1C104K	CHIP C 0.10UF K	
C55,56			CK73FB1A105K	CHIP C 1.0UF K	
C61,62			CK73FB1H471K	CHIP C 470PF K	
C63,64			CC73FCH1H680J	CHIP C 68PF J	
C65,66			C93-1044-05	CERAMIC 2200PF K	
C101			CC73FCH1H181J	CHIP C 180PF J	
C102			CK73FB1C104K	CHIP C 0.10UF K	
CN1			E40-9536-05	FLAT CABLE CONNECTOR (16P)	
CN2			E40-9339-05	FLAT CABLE CONNECTOR (22P)	
L1			L40-1001-78	SMALL FIXED INDUCTOR(10UH)	
L2			L92-0308-05	FERRITE CORE	
X1			L78-0572-05	RESONATOR (16.93MHZ)	
CP1 -3			R90-1019-05	MULTI-COMP 100 X2	
R1			RK73FB2A243J	CHIP R 24K J 1/10W	
R2			RK73FB2A183J	CHIP R 18K J 1/10W	
R3			RK73FB2A154J	CHIP R 150K J 1/10W	
R4			RK73FB2A155J	CHIP R 1.5M J 1/10W	
R5			RK73FB2A910J	CHIP R 91 J 1/10W	
R6			RK73FB2A154J	CHIP R 150K J 1/10W	
R7			RK73FB2A155J	CHIP R 1.5M J 1/10W	
R8			RK73EB2B4R7J	CHIP R 4.7 J 1/8W	
R9			RK73EB2B100J	CHIP R 10 J 1/8W	
R10,11			RK73FB2A912J	CHIP R 9.1K J 1/10W	
R12			RK73FB2A562J	CHIP R 5.6K J 1/10W	
R13			RK73FB2A683J	CHIP R 68K J 1/10W	
R14,15			RK73FB2A824J	CHIP R 820K J 1/10W	
R16			RK73FB2A223J	CHIP R 22K J 1/10W	
R17			RK73FB2A393J	CHIP R 39K J 1/10W	
R18			RK73FB2A392J	CHIP R 3.9K J 1/10W	
R19			RK73FB2A333J	CHIP R 33K J 1/10W	
R20			RK73FB2A104J	CHIP R 100K J 1/10W	
R21			RK73FB2A224J	CHIP R 220K J 1/10W	
R31			RK73FB2A102J	CHIP R 1.0K J 1/10W	

E: KDC-3080RYG **E1:** KDC-3080RYA **E2:** KDC-3080RG **E3:** KDC-3080RA **E4:** KDC-303RG
M: KDC-3016RG

△ indicates safety critical components.

KDC-3016RG/303RG/3080RA/RG/RYA/RYG

PARTS LIST

* New Parts

Parts without Parts No. are not supplied.

Les articles non mentionnes dans le Parts No. ne sont pas fournis.

Teile ohne Parts No. werden nicht geliefert.

CD PLAYER UNIT(X32-4600/4760-00)

CD MECHANISM UNIT(X92-3590-00/01)

Ref.No.	A d d	N e w	Parts No.	Description	Dest inati on
R32			RK73FB2A104J	CHIP R 100K J 1/10W	
R34			RK73FB2A683J	CHIP R 68K J 1/10W	
R35			RK73FB2A104J	CHIP R 100K J 1/10W	
R36			RK73FB2A151J	CHIP R 150 J 1/10W	
R37			RK73FB2A471J	CHIP R 470 J 1/10W	
R38			RK73FB2A224J	CHIP R 220K J 1/10W	
R39			RK73FB2A225J	CHIP R 2.2M J 1/10W	
R40			RK73FB2A105J	CHIP R 1.0M J 1/10W	
R42			RK73FB2A472J	CHIP R 4.7K J 1/10W	
R44			RK73FB2A512J	CHIP R 5.1K J 1/10W	
R45			RK73FB2A103J	CHIP R 10K J 1/10W	
R46			RK73FB2A102J	CHIP R 1.0K J 1/10W	
R47			RK73FB2A103J	CHIP R 10K J 1/10W	
R49			RK73FB2A472J	CHIP R 4.7K J 1/10W	
R50			RK73FB2A102J	CHIP R 1.0K J 1/10W	
R51			RK73FB2A472J	CHIP R 4.7K J 1/10W	
R52			RK73FB2A104J	CHIP R 100K J 1/10W	
R54			RK73FB2A104J	CHIP R 100K J 1/10W	
R71			RK73FB2A912J	CHIP R 9.1K J 1/10W	
R72			RK73FB2A122J	CHIP R 1.2K J 1/10W	
R73			RK73FB2A393J	CHIP R 39K J 1/10W	
R74			RK73FB2A103J	CHIP R 10K J 1/10W	
R75			RK73FB2A333J	CHIP R 33K J 1/10W	
R76			RK73FB2A622J	CHIP R 6.2K J 1/10W	
R77			RK73FB2A393J	CHIP R 39K J 1/10W	
R78			RK73FB2A153J	CHIP R 15K J 1/10W	
R79			RK73FB2A242J	CHIP R 2.4K J 1/10W	
R80			RK73FB2A202J	CHIP R 2.0K J 1/10W	
R81			RK73FB2A333J	CHIP R 33K J 1/10W	
R82			RK73FB2A682J	CHIP R 6.8K J 1/10W	
R83			RK73FB2A681J	CHIP R 680 J 1/10W	
R91 ,92			RK73FB2A332J	CHIP R 3.3K J 1/10W	
R93 ,94			RK73FB2A562J	CHIP R 5.6K J 1/10W	
R101-106			RK73FB2A203J	CHIP R 20K J 1/10W	
R107,108			RK73FB2A331J	CHIP R 330 J 1/10W	
R202			RK73FB2A392J	CHIP R 3.9K J 1/10W	
R203,204			RK73FB2A244J	CHIP R 240K J 1/10W	
R205			RK73FB2A221J	CHIP R 220 J 1/10W	
S1 ,2			S68-0822-05	PUSH SWITCH	EE1M
S1 ,2			S68-0838-05	PUSH SWITCH	EZE3E4
S3			S68-0823-05	PUSH SWITCH	
D1 ,2			DAN202U	DIODE	
D3			DA204K	DIODE	
IC1			AN8806SB	ANALOGUE IC	
IC2			MN662770KA7	MOS-IC	
IC4			BA5917AFP	ANALOGUE IC	
IC5			TA78L05F	IC(VOLTAGE REGULATOR/+5V)	
IC6			NJM4565MD	IC(OP AMP X2)	
Q1			2SA1362(Y)	TRANSISTOR	
Q2			DTC124EUA	DIGITAL TRANSISTOR	
Q3 ,4			2SA1362(Y)	TRANSISTOR	
Q5			DTC124EUA	DIGITAL TRANSISTOR	
Q6			2SA1576A	TRANSISTOR	

Ref.No.	A d d	N e w	Parts No.	Description	Dest inati on
CD MECHANISM UNIT (X92-3590-00/01)					
1			A10-4224-41	CHASSIS	
2	2A		A10-4225-33	CHASSIS CALKING ASSY	
3	1B		A11-0915-43	SUB CHASSIS CALKING ASSY	
5	2B				
6	2A		D10-3082-13	ARM	E2E3E4
6	2A		D10-3083-44	ARM ASSY	EE1M
6	2A		D10-4306-04	ARM ASSY	E2E3E4
7	2A		D10-3084-44	ARM ASSY	EE1M
7	2A		D10-4305-04	ARM ASSY	
8	3A		D10-3087-44	ARM ASSY	
9	3B		D10-3092-03	SLIDER	
10	3B		D10-3093-04	SLIDER ASSY	
11	2B		D10-3095-04	SLIDER ASSY	
12	2B		D10-3096-04	SLIDER ASSY	
13	1A		D10-3099-24	SLIDER ASSY	
14	1A		D10-3100-04	SLIDER ASSY	
16	1B		D10-4004-04	LEVER ASSY	
17	1B		D10-4006-04	LEVER	
18	1A		D10-4007-04	LEVER	
19	2B		D10-4008-14	LEVER	
20	2A		D10-4009-23	ARM	
21	3A		D10-4010-04	LEVER	
22	3A		D10-4011-34	LEVER ASSY	
23	3A		D10-4013-14	ARM ASSY	
24	3B		D10-4050-04	ARM	
25	2A		D10-4038-23	ARM ASSY	
26	2A		D10-4123-24	LEVER ASSY	
27	3A		D13-1340-13	RACK (GEAR)	
29	3B		D13-1231-04	GEAR	
30	3A		D13-1240-04	GEAR	
31	3B		D13-1233-04	GEAR	
32	3B		D13-1234-14	GEAR ASSY	
33	3A		D13-1238-03	GEAR	
34	3B		D13-1232-04	GEAR	
35	3B		D13-1241-04	GEAR	
36	3A		D13-1242-04	GEAR	
37	1B		D13-1243-04	GEAR	
38	1B		D13-1244-04	GEAR	
39	1B		D13-1245-14	GEAR	
40	2A		D13-1246-04	GEAR	
41	2B		D13-1247-04	GEAR	
43	2B		D13-1249-04	GEAR ASSY	
44	2B		D13-1341-04	GEAR ASSY	
45	1B		D14-0668-04	ROLLER	
46	2A		D14-0670-04	ROLLER	
47	3B		D14-0674-04	ROLLER	
49	3A		D21-2228-14	SHAFT	
50	1A		D21-2229-04	SHAFT	
51	1A		D23-0925-24	RETAINER	
52	2A		D32-0614-04	STOPPER	
53	1B		D39-0223-05	DAMPER (YELLOW)	
54	2B		D39-0224-05	DAMPER (BLACK)	
55	3B		F09-1246-04	SHEET	

E: KDC-3080RYG E1: KDC-3080RYA E2: KDC-3080RG E3: KDC-3080RA E4: KDC-303RG

M: KDC-3016RG

⚠ indicates safety critical components.

KDC-3016RG/303RG/3080RA/RG/RYA/RYG

SPECIFICATIONS

KDC-3080RA/RG/RYA/RYG

FM Section

Frequency Range	87.5MHz~108.0MHz
(Frequency Step)	(50kHz)
Usable Sensitivity(S/N:26dB)	0.7 μ V/75 Ω
Quieting Sensitivity(S/N:46dB)	1.6 μ V/75 Ω
Frequency Response(\pm 3.0dB)	30~15kHz
S/N	65dB(MONO)
Selectivity(DIN)	\geq 80dB(\pm 400kHz)
Stereo Separation	35dB(1kHz)

MW Section

Frequency Range	531kHz~1611kHz
(Frequency Step)	(9kHz)
Usable Sensitivity(S/N:20dB)	25 μ V

LW Section

Frequency Range	153kHz~281kHz
Usable Sensitivity(S/N:20dB)	45 μ V

CD Section

Laser Diode	GaAIAs(λ =780nm)
Digital Filter(D/A)	8 Times Over Sampling
D/A Converter	1Bit
Spindle Speed	500~200rpm(CLV)
Wow & Flutter	Below Measurable Limit
Frequency Response	10~20kHz(\pm 1dB)
THD	0.01%(1kHz)
S/N Ratio	96dB(1kHz)
Dynamic Range	93dB
Channel Separation	85dB

KDC-303RG

FM Section

Frequency Range	87.5MHz~108.0MHz
(Frequency Step)	(50kHz)
Usable Sensitivity(S/N:26dB)	0.7 μ V/75 Ω
Quieting Sensitivity(S/N:46dB)	1.6 μ V/75 Ω
Frequency Response(\pm 3.0dB)	30~15kHz
S/N	65dB(MONO)
Selectivity(DIN)	\geq 80dB(\pm 400kHz)
Stereo Separation	35dB(1kHz)

MW Section

Frequency Range	531kHz~1611kHz
(Frequency Step)	(9kHz)
Usable Sensitivity(S/N:20dB)	25 μ V

LW Section

Frequency Range	153kHz~281kHz
Usable Sensitivity(S/N:20dB)	45 μ V

CD Section

Laser Diode	GaAIAs(λ =780nm)
Digital Filter(D/A)	8 Times Over Sampling
D/A Converter	1Bit
Spindle Speed	500~200rpm(CLV)
Wow & Flutter	Below Measurable Limit
Frequency Response	10~20kHz(\pm 1dB)
THD	0.01%(1kHz)
S/N Ratio	96dB(1kHz)
Dynamic Range	93dB
Channel Separation	85dB

Preout Level/Load	1800mV/10k Ω (CD)
Preout Impedance	\leq 600 Ω

AMPLIFIER Section

Maximum Power	40W \times 4
Power DIN45324, +B=14.4V	26W \times 4

TONE Section

Bass	100Hz \pm 10dB
Treble	10kHz \pm 10dB

General

Operating Voltage	14.4V
(11V~16V allowable)	
Current Consumption	10A
Installation Size (W)	182(mm) 7-3/16(in)
(H)	53(mm) 2-1/16(in)
(D)	160(mm) 6-5/16(in)
Weight	3.1lbs(1.4kg)

Preout Level/Load	1800mV/10k Ω (CD)
Preout Impedance	\leq 600 Ω

AMPLIFIER Section

Maximum Power	40W \times 4
Power DIN45324, +B=14.4V	26W \times 4

TONE Section

Bass	100Hz \pm 10dB
Treble	10kHz \pm 10dB

General

Operating Voltage	14.4V
(11V~16V allowable)	
Current Consumption	10A
Installation Size (W)	182(mm) 7-3/16(in)
(H)	53(mm) 2-1/16(in)
(D)	160(mm) 6-5/16(in)
Weight	3.1lbs(1.4kg)

KDC-3016RG/303RG/3080RA/RG/RYA/RYG

SPECIFICATIONS

KDC-3016RG

FM Section

Frequency Range	87.5MHz~108.0MHz
(Frequency Step)	(50kHz)
Channel Space Selection	FIX
Usable Sensitivity	9.3dBf
(S/N:30dB)	(0.8 μ V/75 Ω)
Quieting Sensitivity	15.2dBf
(S/N:50dB)	(1.6 μ V/75 Ω)
Frequency Response(\pm 3.0dB)	30~15kHz
S/N	70dB(MONO)
Selectivity(DIN)	\geq 80dB(\pm 400kHz)
Stereo Separation	40dB(1kHz)

MW Section

Frequency Range	531kHz~1611kHz
(Frequency Step)	(9kHz)
Usable Sensitivity	28dB μ
(S/N:20dB)	(25 μ V)

LW Section

Frequency Range	153kHz~281kHz
Usable Sensitivity(S/N:20dB)	45 μ V

CD Section

Laser Diode	GaAlAs(λ =780nm)
Digital Filter(D/A)	8 Times Over Sampling
D/A Converter	1Bit
Spindle Speed	500~200rpm(CLV)
Wow & Flutter	Below Measurable Limit
Frequency Response	10~20kHz(\pm 1dB)
THD	0.01%(1kHz)
S/N Ratio	96dB(1kHz)
Dynamic Range	93dB
Channel Separation	85dB

Preout Level/Load 1800mV/10k Ω (CD)

Preout Impedance \leq 600 Ω

AMPLIFIER Section

Maximum Power 45W \times 4

Full Bandwidth Power 22W \times 4
(at less than 1% THD)

TONE Section

Bass 100Hz \pm 10dB

Treble 10kHz \pm 10dB

General

Operating Voltage 14.4V

(11V~16V allowable)

Current Consumption 10A

Installation Size (W) 182(mm) 7-3/16(in)

(H) 53(mm) 2-1/16(in)

(D) 160(mm) 6-5/16(in)

Weight 3.1lbs(1.4kg)

KENWOOD follows a policy of continuous advancements in development. For this reason specifications may be changed without notice.

KENWOOD CORPORATION

14-6, Dogenzaka 1-chome, Shibuya-ku, Tokyo 150-8501, Japan

KENWOOD SERVICE CORPORATION

P.O. Box 22745, 2201 East Dominguez Street,
Long Beach, CA90801-5745, U.S.A.

KENWOOD ELECTRONICS CANADA INC.

6070 Kestrel Road, Mississauga, Ontario, Canada L5T 1S8

KENWOOD ELECTRONICS LATIN AMERICA S.A.

P.O. Box 55-2791, Piso 6, Plaza Chase, Cl. 47 y,
Aquilino de la Guardia, Panama, Republic of Panama

KENWOOD ELECTRONICS BRASIL LTDA.

Av. Moema, 170-17°, Andar-Cobertura "B",
Ed. Maximum Service Center, 04077-020 Moema,
São Paulo-SP-Brasil

KENWOOD ELECTRONICS UK LIMITED

Kenwood House, Dwight Road, Watford, Herts,
WD1 8EB United Kingdom

KENWOOD ELECTRONICS DEUTSCHLAND GMBH

Rembrücker-Str. 15, 63150 Heusenstamm, Germany

KENWOOD ELECTRONICS FRANCE S.A.

13, Boulevard Ney, 75018 Paris, France

KENWOOD ELECTRONICS BELGIUM N.V.

Mechelsesteenweg 418, B-1930 Zaventem, Belgium

KENWOOD ELECTRONICS ITALIA S.p.A.

Via G. Sirtori 7/9, 20129 Milano, Italy

KENWOOD IBÉRICA S.A.

Bolivia, 239-08020 Barcelona, Spain

KENWOOD ELECTRONICS AUSTRALIA PTY. LTD.

(A.C.N. 001 499 074)

16 Giffnock Avenue, North Ryde, N.S.W. 2113, Australia

KENWOOD ELECTRONICS (HONG KONG) LTD.

Unit 3712-3724, Level 37, Tower 1, Metroplaza,
223 Hing Fong Road, Kwai Fong, N.T., Hong Kong

KENWOOD ELECTRONICS GULF FZE

P.O. Box 61318, Jebel Ali, Dubai, U.A.E.

KENWOOD ELECTRONICS (THAILAND) CO., LTD.

2019 New Pechburi Road, Bangkapi, Huaykwang,
Bangkok, 10320 Thailand

KENWOOD ELECTRONICS SINGAPORE PTE. LTD.

1 Genting Lane, #07-00, Kenwood Building, Singapore 349544

KENWOOD ELECTRONICS (MALAYSIA) SDN BHD

#4.01 Level 4, Wisma Academy Lot 4A, Jalan 19/1,
46300 Petaling Jaya, Selangor Darul Ehsan, Malaysia